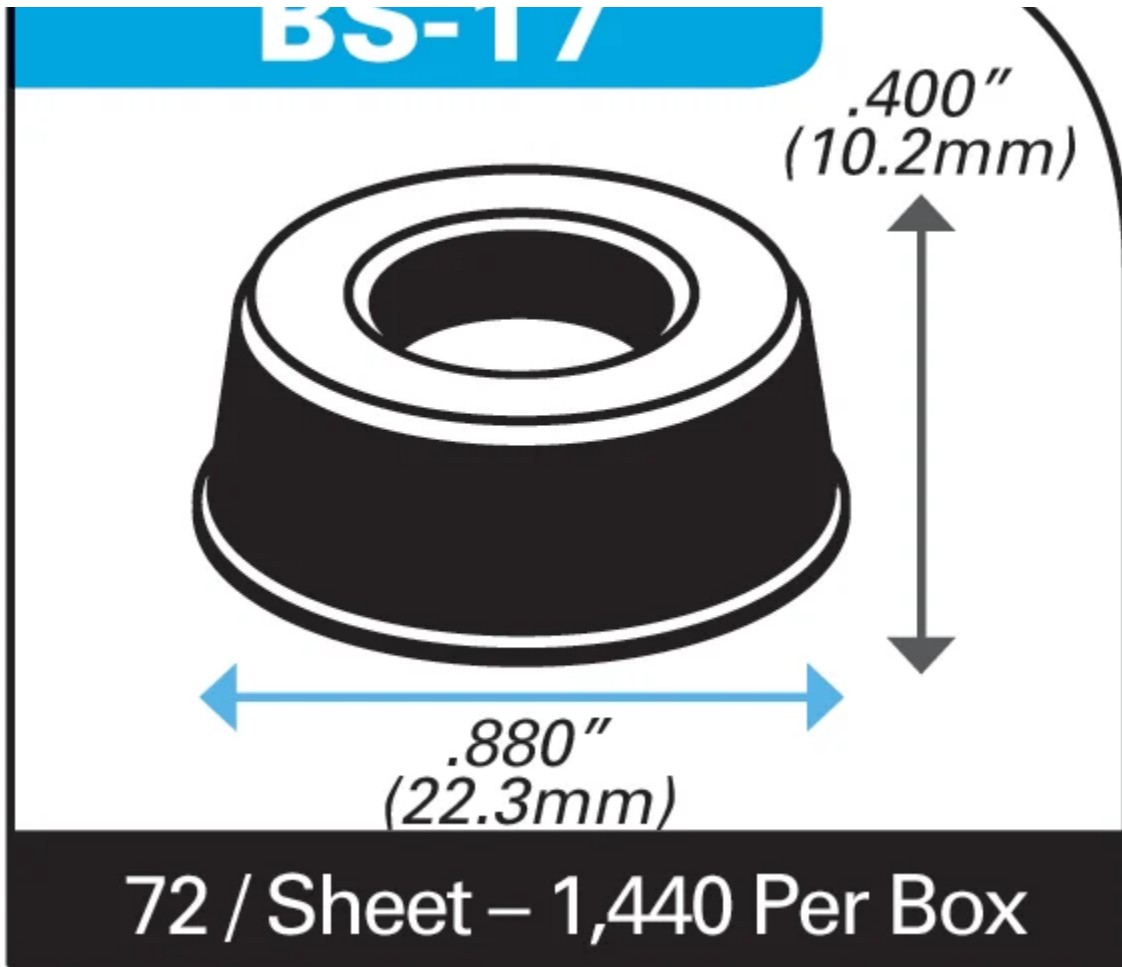


BS-17 BROWN

in Recessed Bumpers





RPM Self Adhesive Bumpers are made of a permanently resilient polyurethane polymer formulated especially for its unique high coefficient of friction, non-slip, non-marring features. An aggressive synthetic rubber, high tack, pressure sensitive adhesive protected with an easy release liner makes application fast and easy.

* High Performance Acrylic Adhesive available on request.

* Also available in BLACK, BROWN, GREY, WHITE and CLEAR. Custom Colors on request.

Specifications

HEIGHT (IN)	.400
COLOR	BROWN
DIAMETER (IN)	.880
PRODUCT TYPE	SELF ADHESIVE BUMPER
MANUFACTURER	RPM Mechanical Inc

