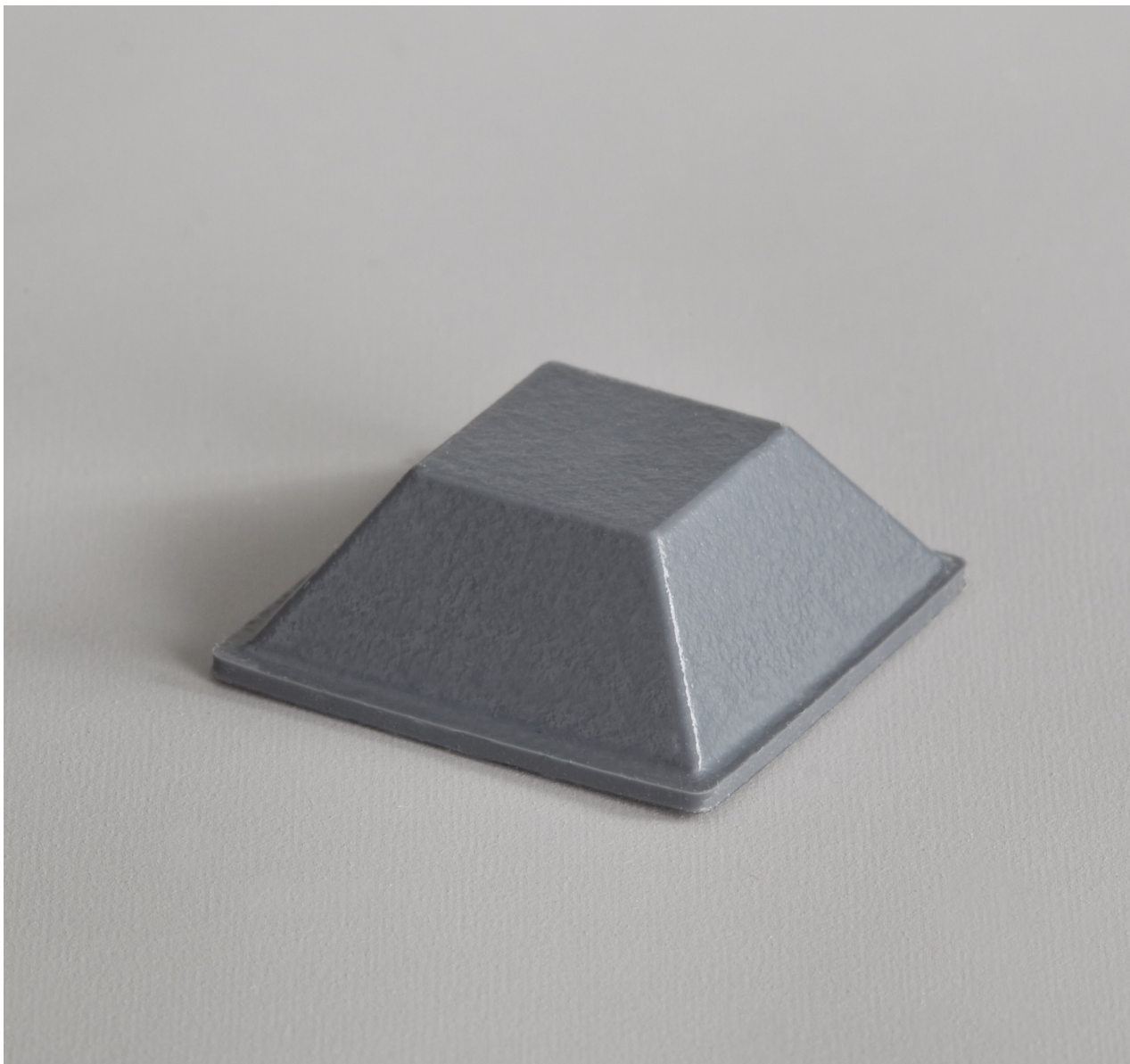
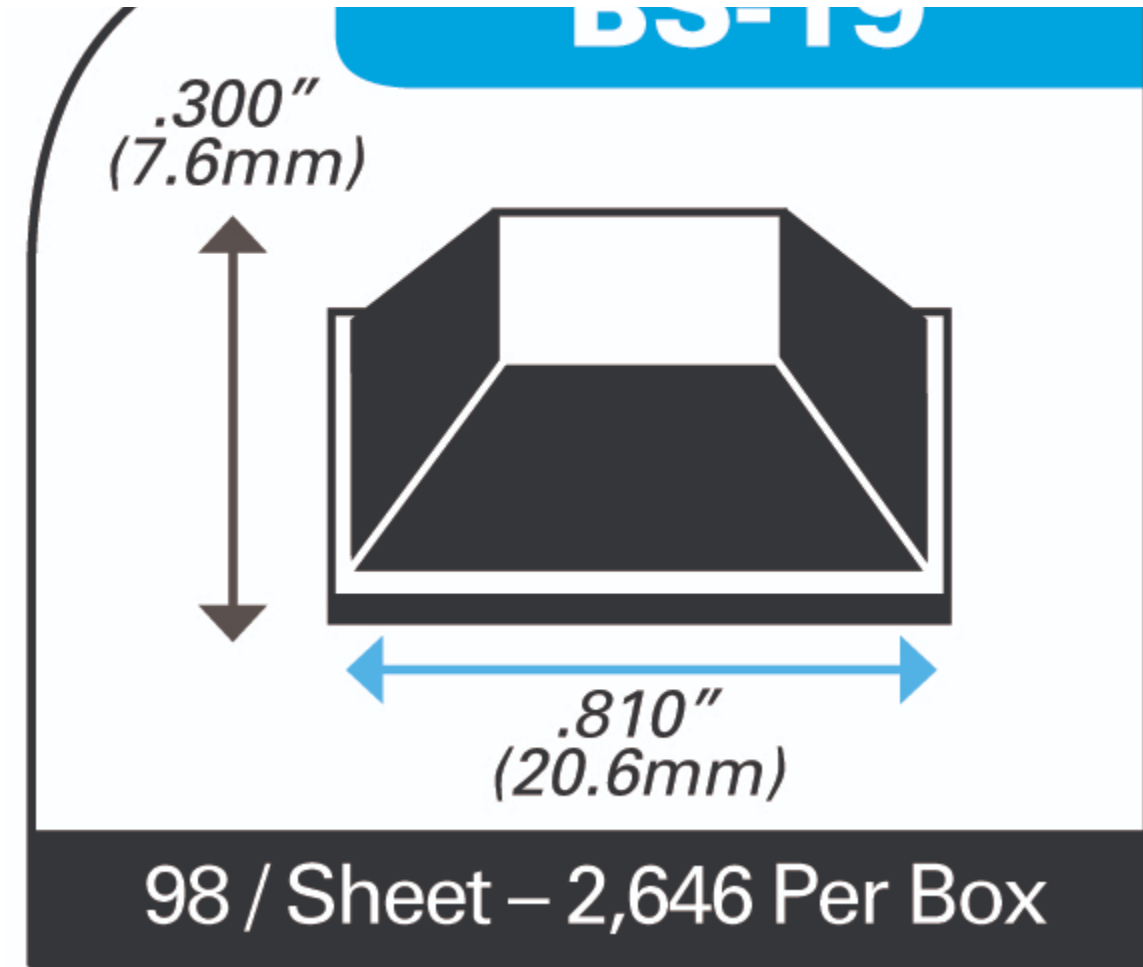


BS-19 GREY

in Square Bumpers





RPM Self Adhesive Bumpers are made of a permanently resilient polyurethane polymer formulated especially for its unique high coefficient of friction, non-slip, non-marring features. An aggressive synthetic rubber, high tack, pressure sensitive adhesive protected with an easy release liner makes application fast and easy.

* High Performance Acrylic Adhesive available on request.

* Also available in BLACK, BROWN, GREY, WHITE and CLEAR. Custom Colors on request.

Specifications

HEIGHT (IN)	.300
WIDTH (IN)	.810
COLOR	GREY
PRODUCT TYPE	SELF ADHESIVE
MANUFACTURER	RPM Mechanical Inc

