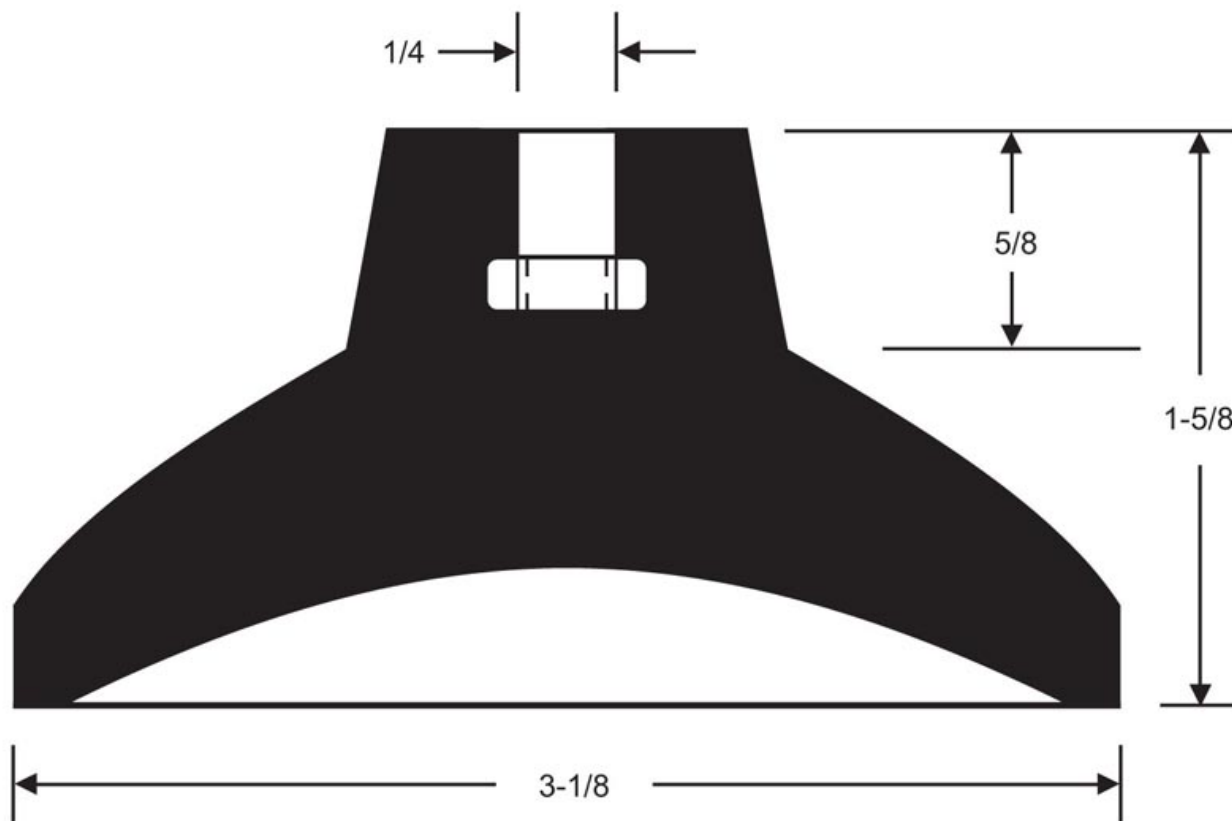
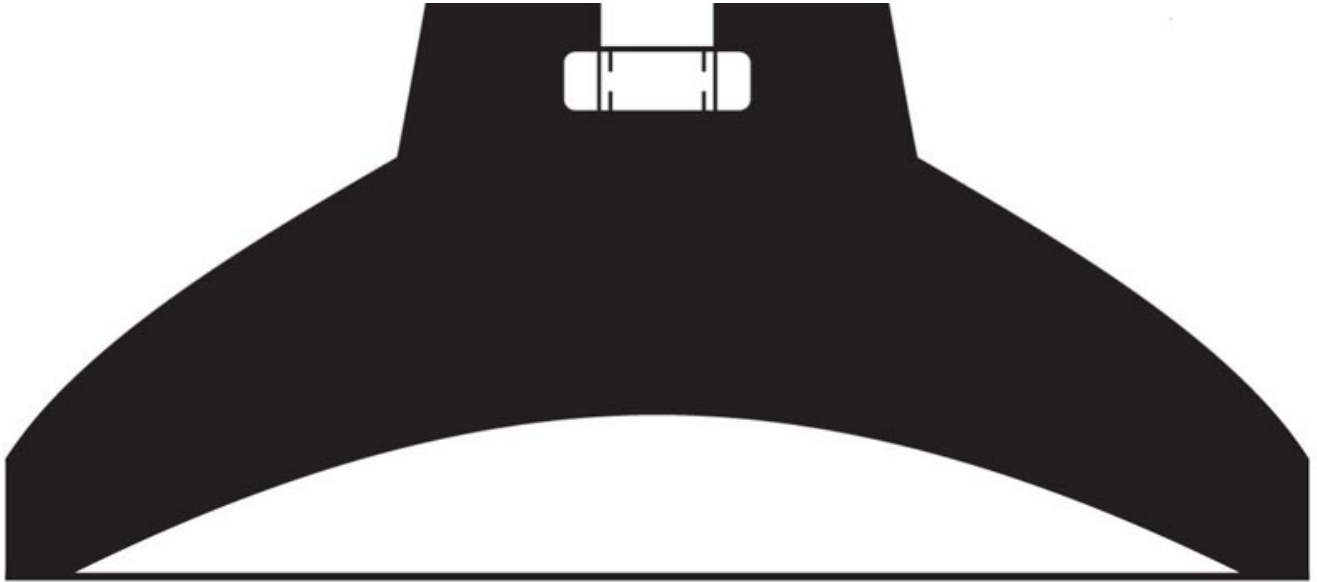


SC-3125-01

in Suction Cups





- Two Styles
- 1/4 - 20 Nut Imbedded

Specifications

DUROMETER	
HEIGHT (IN)	1 1/2
WIDTH (IN)	3 1/8
COLOR	
PRODUCT TYPE	
MANUFACTURER	RPM Mechanical, Inc.