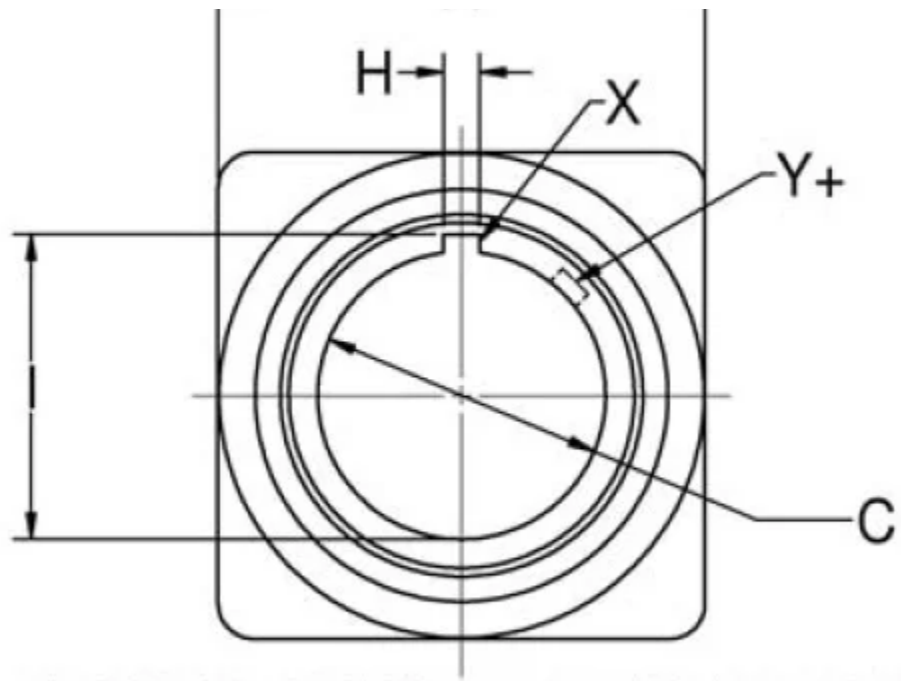


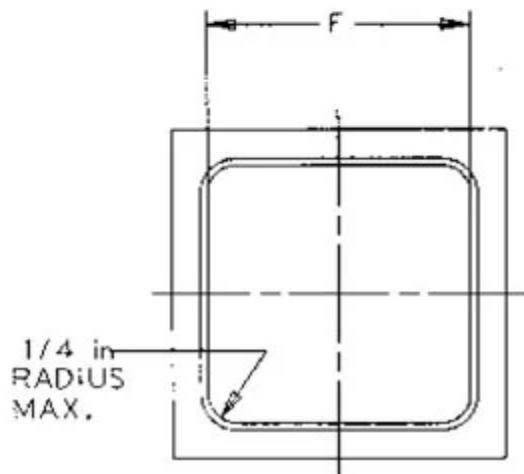
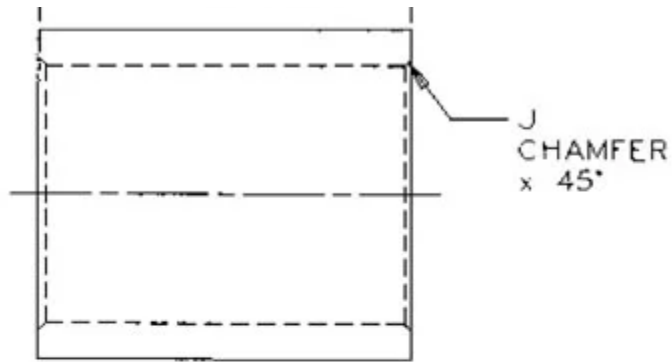
# J-9832-8

in Square Bonded Bushings





+Y - KEY LOCATION  $45^\circ$  FROM VERTICAL



Center Bonded Bushings and Square Bonded Bushings are used in applications where the absorption shock, attenuation of noise, reduction of wear and elimination of lubrication is required. Center Bonded Bushings are designed to be loaded radially and utilize a soft torsional spring rate to provide freedom in rotation. High radial restraint maintains the alignment between joined parts. They are not intended for use where extreme rotational motion will occur. Typical applications include heavy duty highway equipment, drilling equipment, harvesters, combines and industrial machinery.

Square Center Bonded Bushings accommodate angular movement and isolate vibratory disturbances in heavy equipment. These bushings combine a torsional spring with an elastomeric pivot and isolator. They provide positive torsional positioning and pivot action under the most demanding operating conditions. Typical applications include wheel suspensions, vibratory feeders, mobile power equipment and vibratory cable layers.

Easy to install, the uncomplicated designs of the Center Bonded and Square Bonded Bushings provide initial economy, while the rugged elastomers and high strength bonding assure extended service life.

Non-Stock Item

- Easy to install.

- Minimal maintenance due to specially compounded elastomer.

## Specifications

A (IN)	3.4
B (IN)	4
C (IN)	2.009
D (IN)	2.53
E (IN)	2.5
F (IN)	3.25
F (MM)	82.6
H (IN)	
H (MM)	
ITEM NAME	
G (IN)	3.75
G (MM)	95.3
I (IN)	2.128
I (MM)	54.1
MAX. RADIAL STATIC LOAD RATING (LBS)	2500
MAX. RADIAL STATIC LOAD RATING (N)	11121
SPRING RATE RADIAL (K RAD) (LBS/IN)	70000
SPRING RATE RADIAL (K RAD) (N/MM)	12257
J (IN)	0.09
J (MM)	2.3
PRODUCT TYPE	

STATIC TORQUE (LBΣIN)	2700
STATIC TORQUE (NΣMM)	3659
KEY LOCATION	X