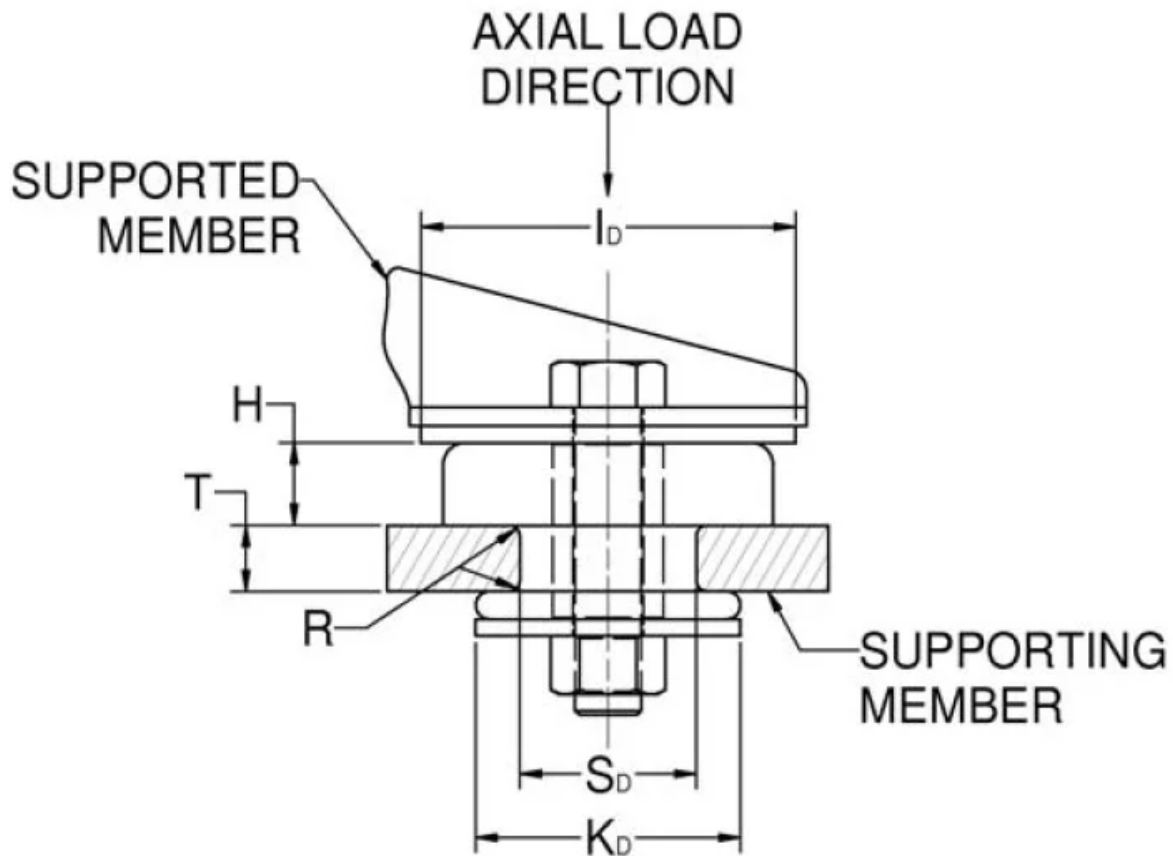
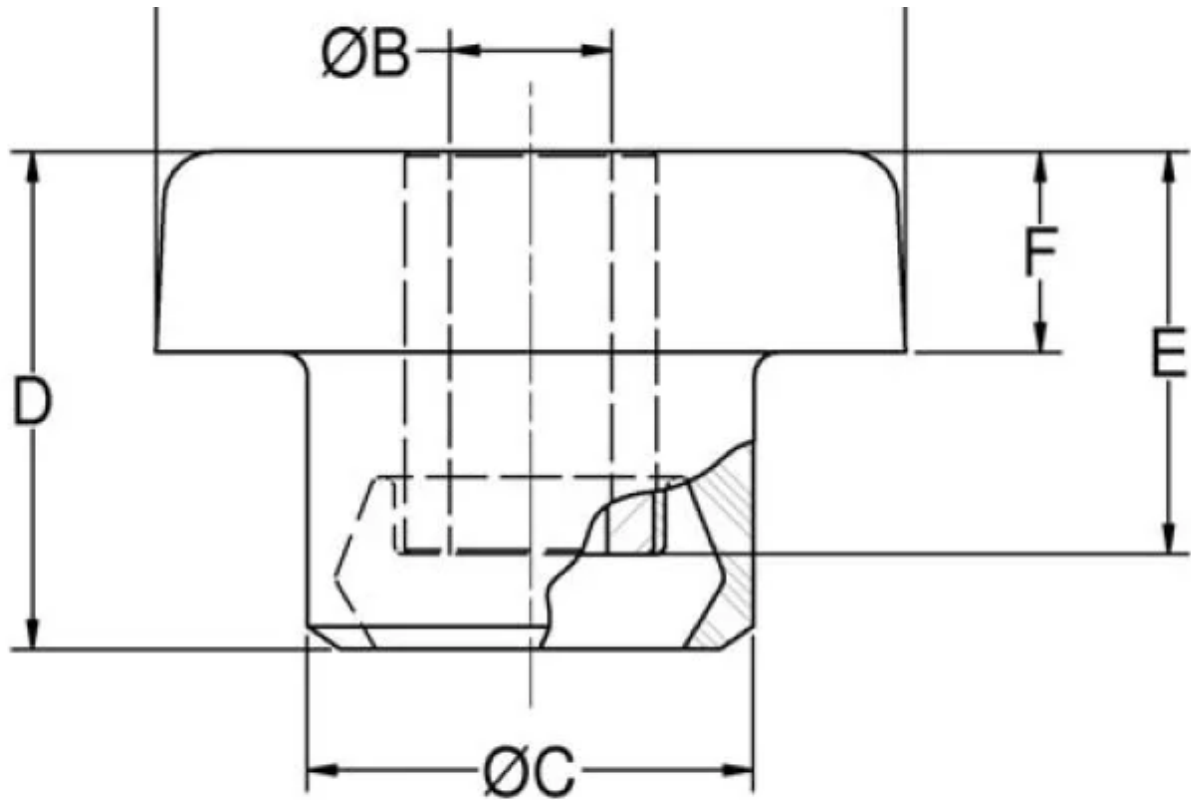


CB-1120-3

in Center Bonded Mounts - CB-1100 Series

Installation View





Center Bonded Mounts isolate vibration, control shock and reduce noise due to structure borne vibrations. Available in a full range of rated load capacities and able to withstand shock loads of 10 g's, these mounts effectively protect equipment and improve operator comfort. They are ideal for automotive, marine, railroad and industrial markets.

Center Bonded Mounts provide flexible suspension systems for mobile, transport-mounted or portable equipment. Typical applications include engines, cabs, fuel tanks, pumps, air conditioning units, compressors and industrial machinery.

In applications where the mounts will be immersed in oil, parts made in oil-resistant elastomer are available.

- Vibration isolation in all directions.
- Noise attenuation.
- Easy installation because of one-piece design.
- Low-cost installation.
- Long service life.
- Consistent performance because of permanently bonded design.
- Shock protection in all directions provided by cushioned snubbing, no metal-to-metal bottoming.

- Captive installation after overload failure when recommended bolt, washer and nut are used.
- Accommodate English and Metric bolts.

Center Bonded Mounts isolate vibration, control shock and reduce noise due to structure borne vibrations.

Available in a full range of rated load capacities and able to withstand shock loads of 10 g's, these mounts effectively protect equipment and improve operator comfort. They are ideal for automotive, marine, railroad and industrial markets.

Center Bonded Mounts provide flexible suspension systems for mobile, transport-mounted or portable equipment. Typical applications include engines, cabs, fuel tanks, pumps, air conditioning units, compressors and industrial machinery.

Specifications

A (IN)	1.09
B (IN)	0.4
C (IN)	0.81
D (IN)	1.02
E (IN)	0.62
F (IN)	0.22
F (MM)	
H (IN)	
H (MM)	
COLOR CODE	
MAX AXIAL DEFLECTION (IN)	0.025
MAX AXIAL DEFLECTION (MM)	0.64
RECOMMENDED BOLT SIZE (IN)	3/8
THICKNESS (IN)	0.125

MAX. AXIAL STATIC LOAD RATING (LBS)	125
MAX. AXIAL STATIC LOAD RATING (N)	560
PRODUCT TYPE	Mounts
MANUFACTURER	Lord Corporation
SERIES	CB-1100
R (IN)	0.06
R (MM)	1.5
RECOMMENDED BOLT GRADE OR CLASS (SAE J429)	2
RECOMMENDED BOLT GRADE OR CLASS (SAE J1199)	5.8
SD (IN)	0.75
SD (MM)	19.1
T (IN)	0.31
T (MM)	7.9
I.D. (IN)	0.4
I.D. (MM)	10.2
MIN. DIAMETER ID (IN)	1.25
MIN. DIAMETER ID (MM)	31.8
MIN. DIAMETER KD (IN)	1.12
MIN. DIAMETER KD (MM)	28.5
NOMINAL DYNAMIC STATIC SPRING RATE RATIO	1.19
RECOMMENDED STEEL WASHER	(Head Washer J-2049-62) (Tail Washer J-2049-61)
O.D. (IN)	1.12

APPLICATION ENGINEERING ASSISTANCE

Frequently, vibration isolation problems require a system engineering analysis. Lord has the computer capability, as well as specialized programs, for analyzing engine/ transmission combinations. The output from this analysis is a mounting proposal which optimizes performance over the complete range of operating speeds. This service is available to you upon request.