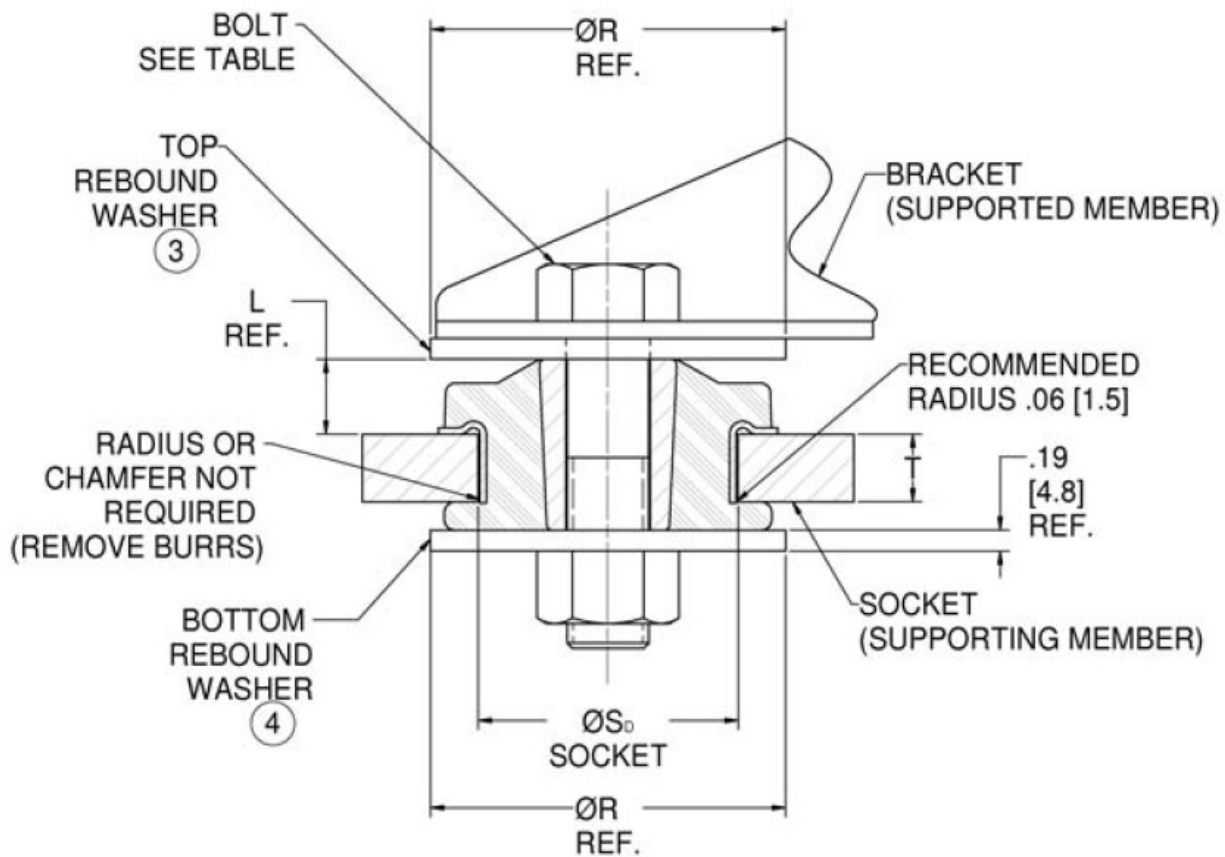
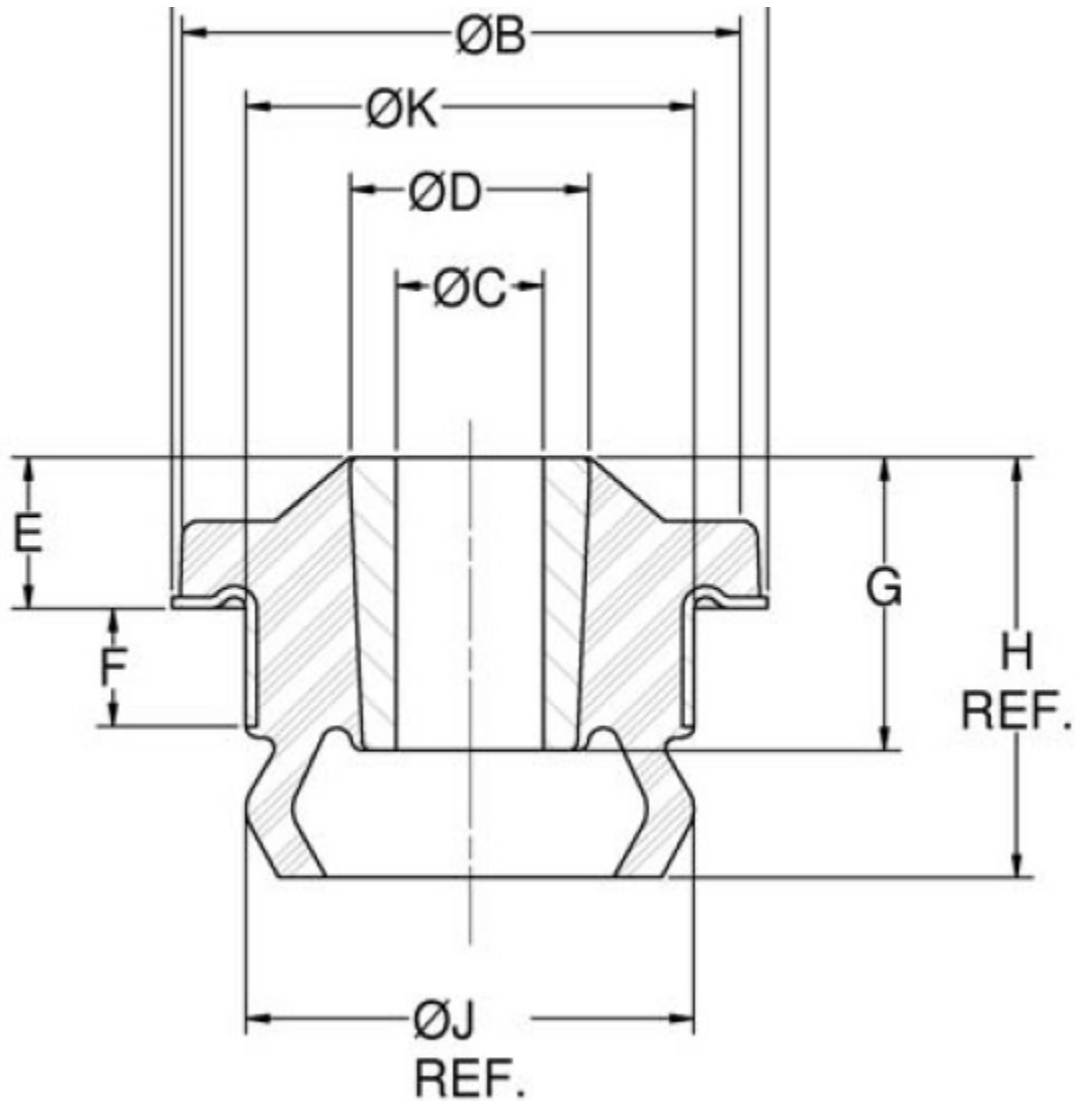


STA30-400-1

in Center Bonded Mounts - STA Series





Center Bonded Mounts isolate vibration, control shock and reduce noise due to structure borne vibrations. Available in a full range of rated load capacities and able to withstand shock loads of 10 g's, these mounts effectively protect equipment and improve operator comfort. They are ideal for automotive, marine, railroad and industrial markets.

Center Bonded Mounts provide flexible suspension systems for mobile, transport-mounted or portable equipment. Typical applications include engines, cabs, fuel tanks, pumps, air conditioning units, compressors and industrial machinery.

Ratings are the same for on-highway, off-highway and general industrial use.

- Vibration isolation in all directions.
- Noise attenuation.
- Easy installation because of one-piece design.
- Low-cost installation.
- Long service life.
- Consistent performance because of permanently bonded design.

- Standard sizes available from stock.
- Space-saving size.
- Captive installation after overload failure when recommended bolt, washer and nut are used.
- Accommodate English and Metric bolts.

Center Bonded Mounts isolate vibration, control shock and reduce noise due to structure borne vibrations.

Available in a full range of rated load capacities and able to withstand shock loads of 10 g's, these mounts effectively protect equipment and improve operator comfort. They are ideal for automotive, marine, railroad and industrial markets.

Center Bonded Mounts provide flexible suspension systems for mobile, transport-mounted or portable equipment. Typical applications include engines, cabs, fuel tanks, pumps, air conditioning units, compressors and industrial machinery.

Specifications

A (IN)	3.12
B (IN)	3
C (IN)	0.77
D (IN)	1.25
E (IN)	0.81
F (IN)	0.63
F (MM)	16
H (IN)	
H (MM)	
L (IN)	
L (MM)	
MATERIAL	Natural Rubber Low Carbon Steel
AXIAL STATIC SPRING RATE (LBS/IN)	5000

G (IN)	1.56
G (MM)	39.6
MAX AXIAL LOAD RATING (LBS)	400
MAX AXIAL LOAD RATING (N)	1780
RECOMMENDED BOLT SIZE (IN)	3/4
RADIAL STATIC SPRING RATE (LBS/IN)	8000
RADIAL STATIC SPRING RATE (N/MM)	1401
MAX. AXIAL STATIC LOAD RATING (LBS)	400
MAX. AXIAL STATIC LOAD RATING (N)	1780
J (IN)	2.34
J (MM)	59.4
K (IN)	2.345
K (MM)	59.4
PRODUCT TYPE	Mounts
MANUFACTURER	Lord Corporation
SERIES	STA
R (IN)	3.25
R (MM)	82.6
RECOMMENDED BOLT GRADE OR CLASS (SAE J429)	8
RECOMMENDED BOLT GRADE OR CLASS (SAE J1199)	10.9
SD (IN)	2.38
SD (MM)	60.5

RECOMMENDED STEEL WASHER	J-2049-54
APPLICATION ENGINEERING ASSISTANCE	Frequently, vibration isolation problems require a system engineering analysis. Lord has the computer capability, as well as specialized programs, for analyzing engine/ transmission combinations. The output from this analysis is a mounting proposal which optimizes performance over the complete range of operating speeds. This service is available to you upon request.
FINISH	Non Oil-Resistant Corrosion Resistant Coated