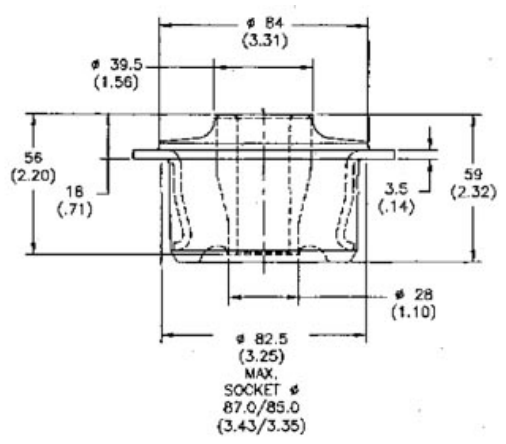
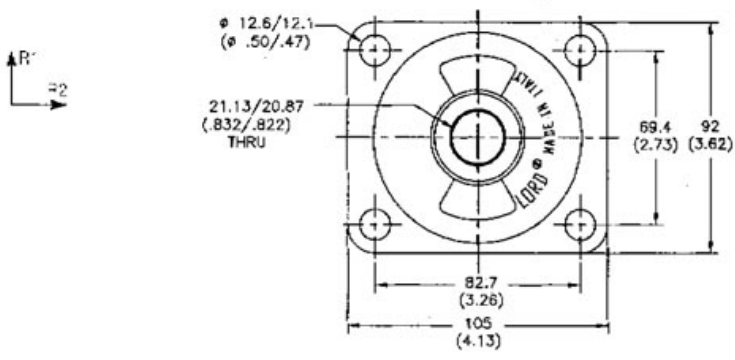
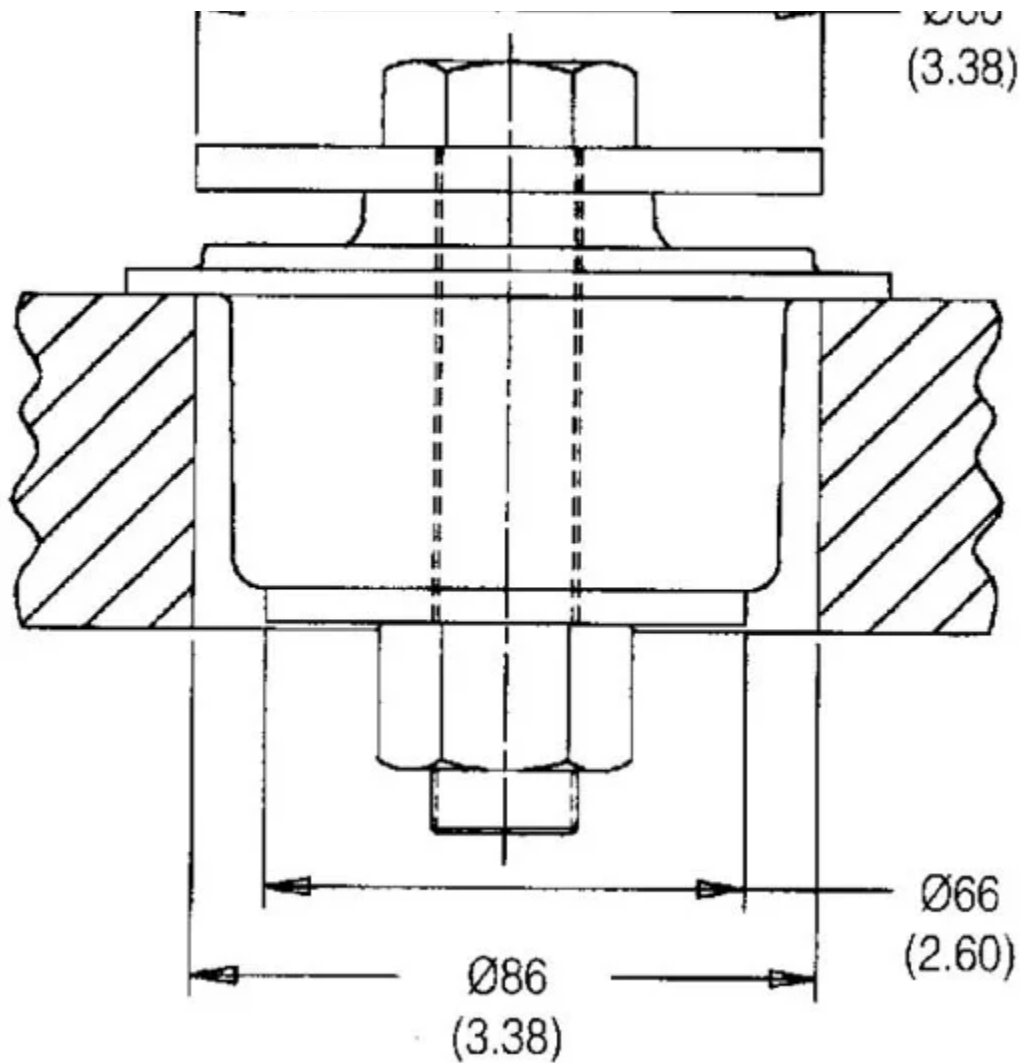


# J-21105-1

in Conical Mounts





Conical mounts from Lord Corporation provide effective vibration isolation and noise attenuation with a simple, robust mount design. Consistent performance, high load bearing capabilities and a choice of radial stiffness characteristics are key features of these mounts. For more demanding vibration and noise reduction requirements, Lord integrates conical mounts with surface-effect technology to form an advanced control solution known as Hystec™ Systems.

Tightening torque 3/4 bolt = 320 lbsΣft, M20 bolt = 430 NΣm dry.

The Mounts :

- Provide strong, dependable performance.
- Have a typical static deflection of 5mm.
- Offer a choice of radial stiffnesses.
- Can be snubbed.
- Can be safetied with the use of snubbing washers.
- Withstand R.O.P.S. loads with the addition of support rings.
- Are easily installed.
- Exhibit long, highly reliable service life.

Conical mounts provide effective vibration isolation and noise attenuation with a simple, robust mount design.

Consistent performance, high load bearing capabilities and a choice of radial stiffness characteristics are key features of these mounts. For more demanding vibration and noise reduction requirements, LORD integrates conical mounts with surface-effect technology to form an advanced control solution known as Hystec™ Systems.

Conical mounts are appropriate for both on-road and off-road vehicles. Applications include cab mounts and engine and transmission mounts for trucks and buses, and construction and agricultural vehicles.

## Specifications

RATED AXIAL STATIC LOAD (LBS)	250
RATED AXIAL STATIC LOAD (N)	1.1
RATED AXIAL STATIC DEFLECTION (IN)	0.2
RATED AXIAL STATIC DEFLECTION (MM)	5
AXIAL STATIC STIFFNESS (LBS/IN)	860
AXIAL STATIC STIFFNESS (N/MM)	150
AXIAL DYN STIFFNESS (LBS/IN)	915
AXIAL DYN STIFFNESS (N/MM)	150

ITEM NAME	
MAX AXIAL LOAD RATING (LBS)	250
MAX AXIAL LOAD RATING (N)	1.1
MAX AXIAL DEFLECTION (IN)	0.2
MAX AXIAL DEFLECTION (MM)	5
RECOMMENDED BOLT SIZE (IN)	3/4
PRODUCT TYPE	Mounts
MANUFACTURER	Lord Corporation
RATED R2 STATIC STIFFNESS (LBS/IN)	2285
RATED R2 STATIC STIFFNESS (N/MM)	400