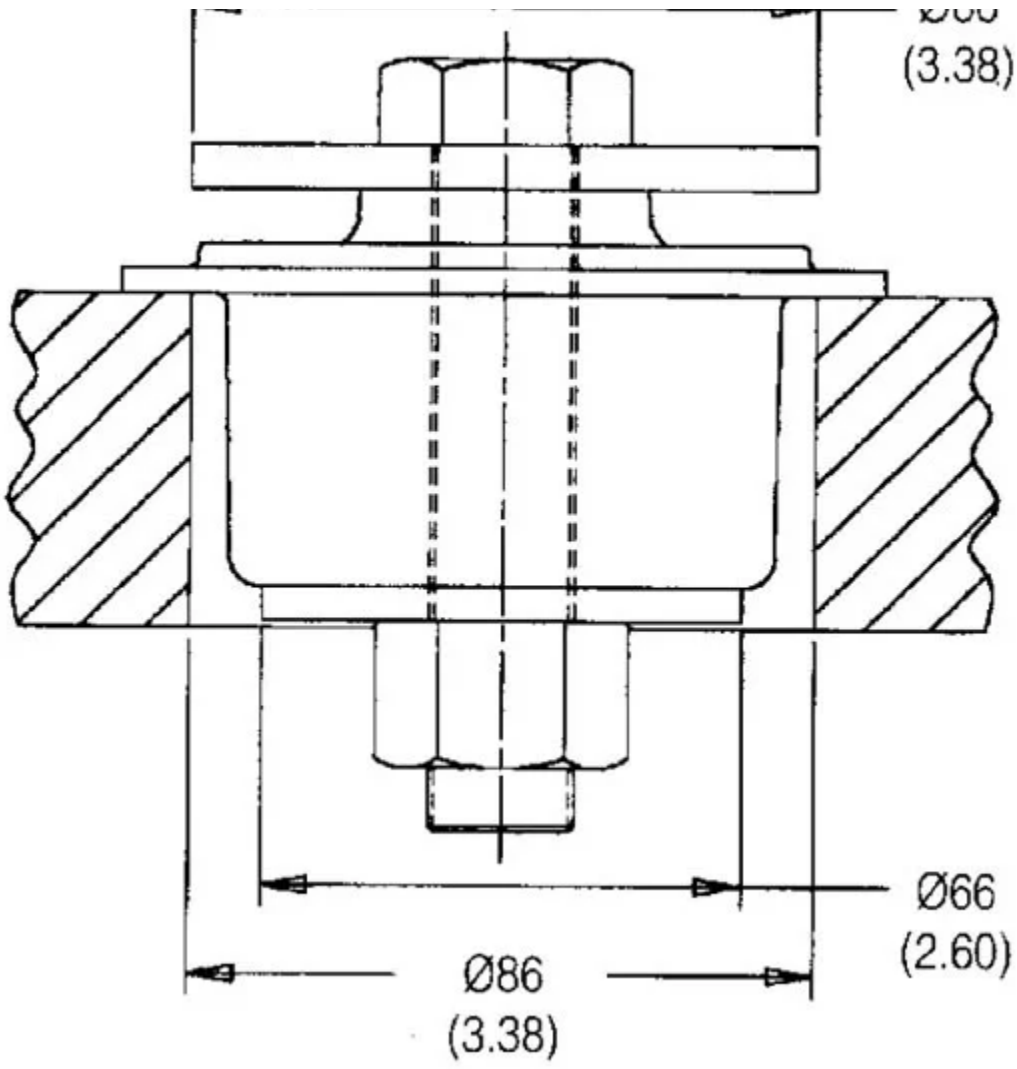
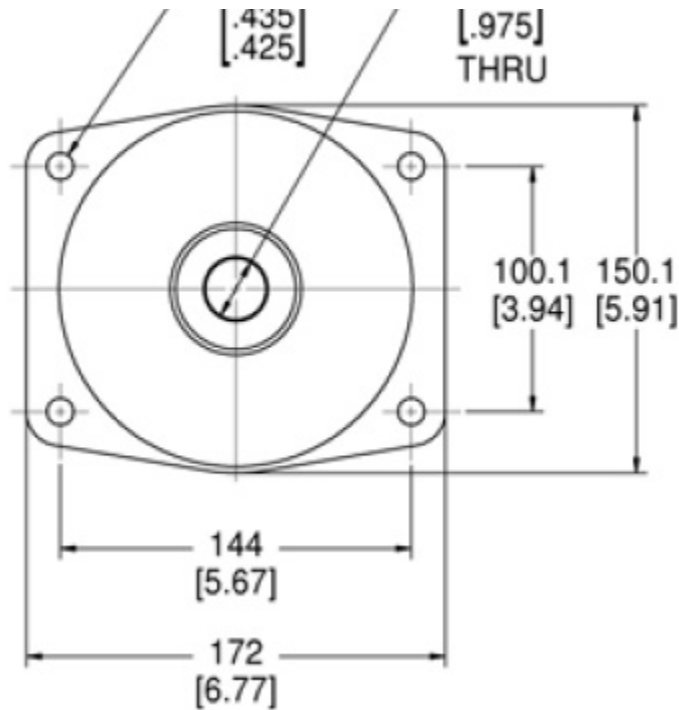


J-21159-7

in Conical Mounts







Conical mounts from Lord Corporation provide effective vibration isolation and noise attenuation with a simple, robust mount design. Consistent performance, high load bearing capabilities and a choice of radial stiffness characteristics are key features of these mounts. For more demanding vibration and noise reduction requirements, Lord integrates conical mounts with surface-effect technology to form an advanced control solution known as Hystec™ Systems.

Conical mounts are appropriate for both on-road and off-road vehicles. Applications include cab mounts and engine and transmission mounts for trucks and buses, and construction and agricultural vehicles.

Data at Axial Load and Dynamic Axial Motion of ± 0.5 mm.

The Mounts :

- Provide strong, dependable performance.
- Have a typical static deflection of 5mm.
- Offer a choice of radial stiffnesses.
- Can be snubbed.
- Can be safetied with the use of snubbing washers.
- Withstand R.O.P.S. loads with the addition of support rings.
- Are easily installed.
- Exhibit long, highly reliable service life.

Conical mounts provide effective vibration isolation and noise attenuation with a simple, robust mount design.

solution known as Hystec™ Systems.

Conical mounts are appropriate for both on-road and off-road vehicles. Applications include cab mounts and engine and transmission mounts for trucks and buses, and construction and agricultural vehicles.

Specifications

RATED AXIAL STATIC LOAD (LBS)	1400
RATED AXIAL STATIC LOAD (N)	6230
RATED AXIAL STATIC DEFLECTION (IN)	0.3
RATED AXIAL STATIC DEFLECTION (MM)	7.6
AXIAL STATIC STIFFNESS (LBS/IN)	4230
AXIAL STATIC STIFFNESS (N/MM)	740
AXIAL DYN STIFFNESS (LBS/IN)	5655
AXIAL DYN STIFFNESS (N/MM)	740
RADIAL R1 STATIC STIFFNESS (LBS/IN)	15100
RADIAL R1 STATIC STIFFNESS (N/MM)	2645
ITEM NAME	
MAX AXIAL LOAD RATING (LBS)	1400
MAX AXIAL LOAD RATING (N)	6230
MAX AXIAL DEFLECTION (IN)	0.3
MAX AXIAL DEFLECTION (MM)	7.6
RECOMMENDED BOLT SIZE (IN)	7/8
PRODUCT TYPE	Mounts
MANUFACTURER	LORD Corporation
RATED R2 STATIC STIFFNESS (LBS/IN)	15100

