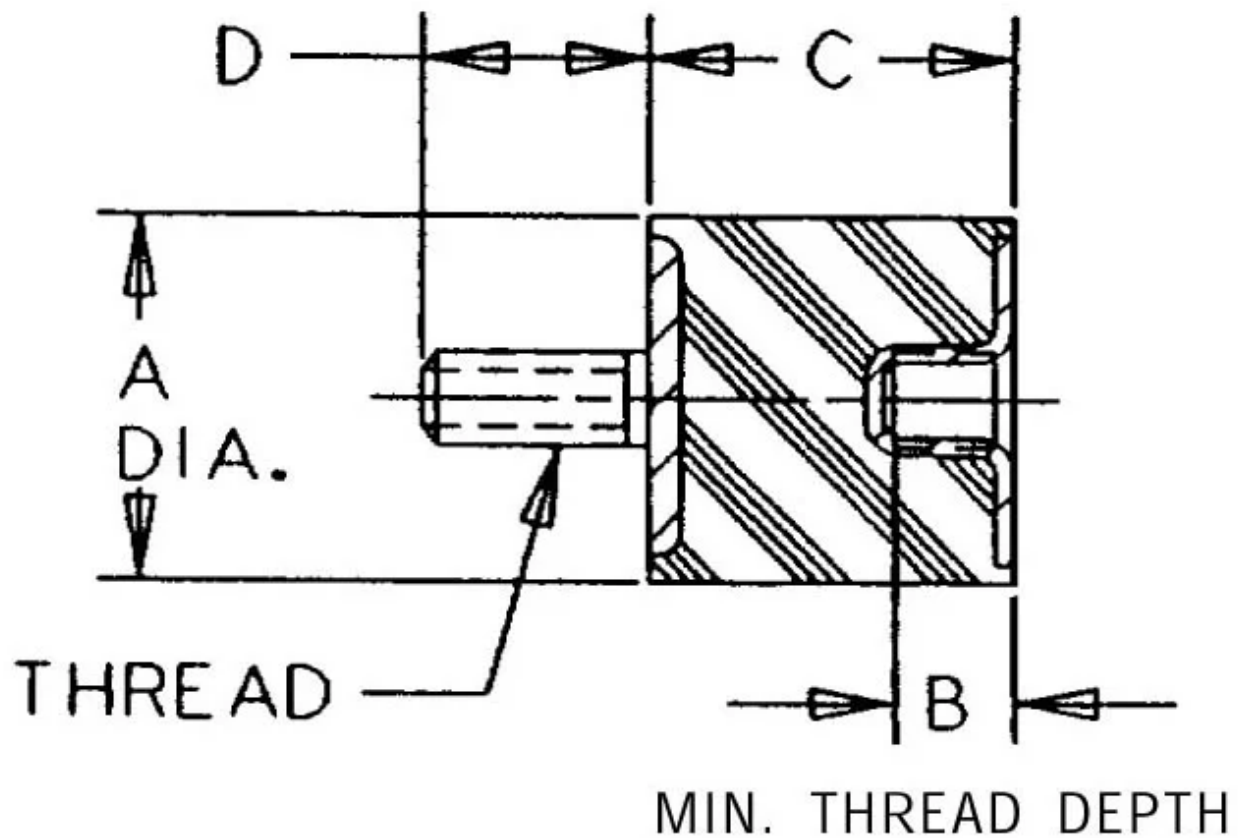
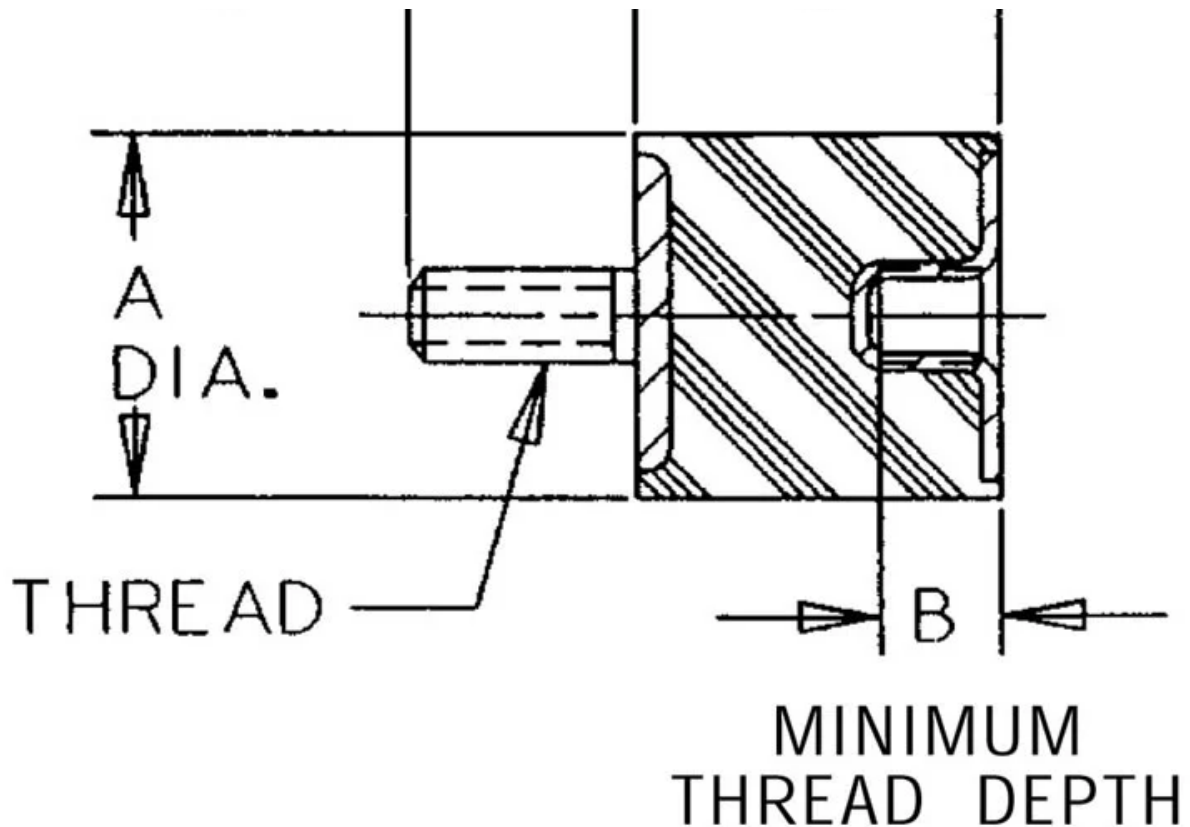


J-4624-643

in Flex-Bolt® Sandwich Mounts (Metric Thread) Type 2





Flex-Bolt® Sandwich Mounts are Manufactured by LORD Corporation.

- Economical.
- Compact and lightweight.
- Easy to install.
- Maintenance-free.
- Three size groups: small, medium and large.
- Unitized construction.

Flex-Bolt® Sandwich Mounts are Manufactured by LORD Corporation.

Flex-Bolt® Sandwich Mounts are designed to protect equipment, machinery and sensitive components against damaging vibration. This family of mounts has excellent capacity for energy control. Constructed with high-strength bonds and specially compounded elastomers, these mounts provide high load carrying capacity and assure long life.

The simple design and unitized construction provide low-cost mounting systems which are compact, lightweight, easy to install and maintenance free.

If you don't see the size you need, contact us - we can help.

Specifications

--	--

COMPRESSION - SPRING RATE KC (LBS/IN)	1700
COMPRESSION - SPRING RATE KC (N/MM)	298
SHEAR STATIC LOAD (LBS)	12
SHEAR STATIC LOAD (N)	53
SHEAR - SPRING RATE KS (LBS/IN)	500
SHEAR - SPRING RATE KS (N/MM)	88
A (IN)	1
B (IN)	1/4
C (IN)	0.75
D (IN)	0.75
THREAD SIZE	M6
DUROMETER	56
ELASTOMER	Natural Rubber
THREAD TYPE	Metric
PRODUCT TYPE	Mounts
MANUFACTURER	LORD Corporation
TYPE	2
GRADE PER SAE J429	4.6