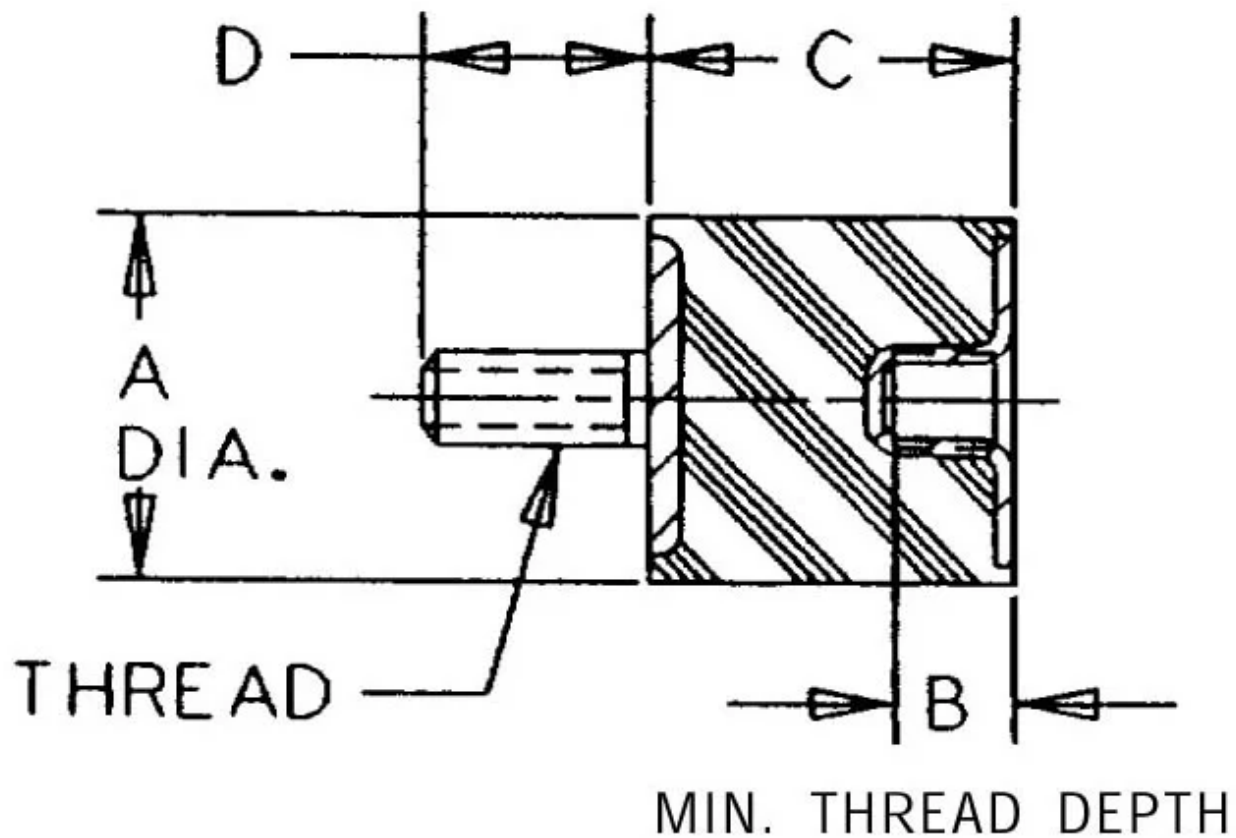
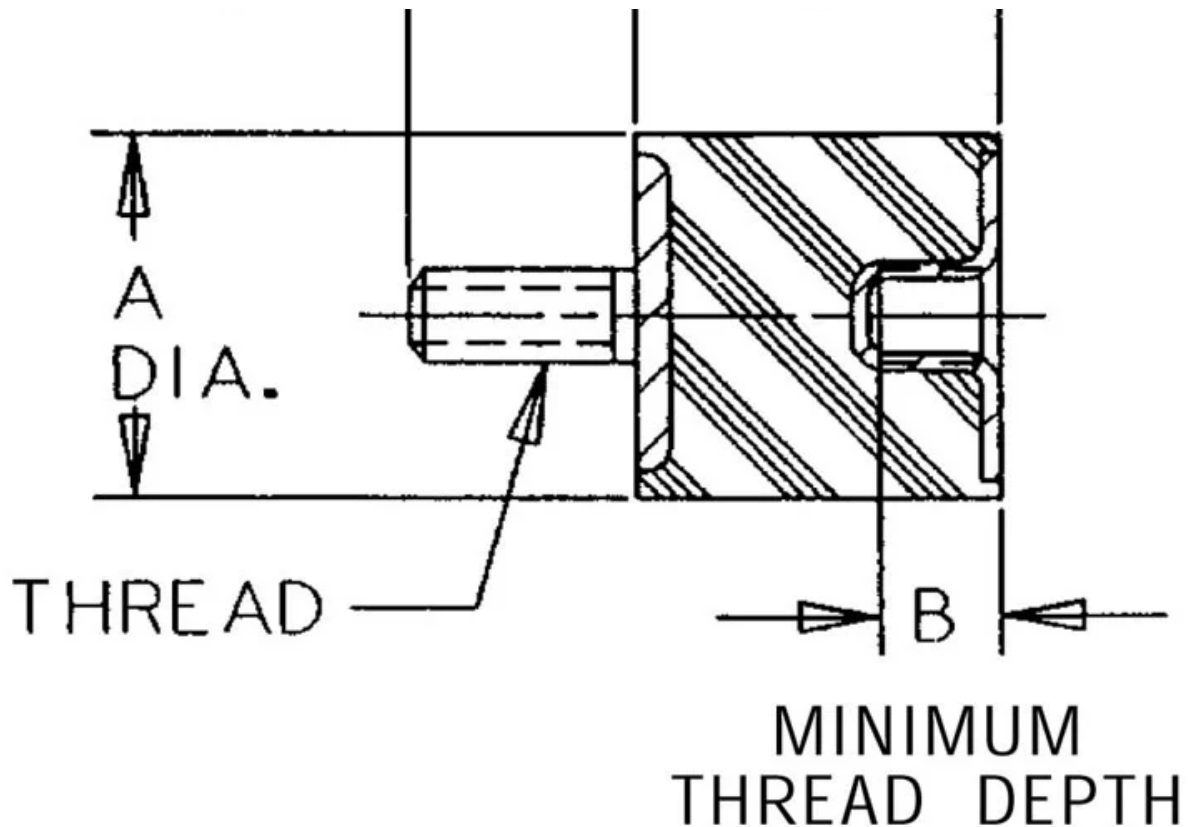


SMB003-0500-9

in Flex-Bolt® Sandwich Mounts (Metric Thread) Type 2





Flex-Bolt® Sandwich Mounts are Manufactured by LORD Corporation.

- Economical.
- Compact and lightweight.
- Easy to install.
- Maintenance-free.
- Three size groups: small, medium and large.
- Unitized construction.

Flex-Bolt® Sandwich Mounts are Manufactured by LORD Corporation.

Flex-Bolt® Sandwich Mounts are designed to protect equipment, machinery and sensitive components against damaging vibration. This family of mounts has excellent capacity for energy control. Constructed with high-strength bonds and specially compounded elastomers, these mounts provide high load carrying capacity and assure long life.

The simple design and unitized construction provide low-cost mounting systems which are compact, lightweight, easy to install and maintenance free.

If you don't see the size you need, contact us - we can help.

Specifications

| | |
|--|--|
| | |
|--|--|

| | |
|---------------------------------------|------------------------------------|
| COMPRESSION - SPRING RATE KC (LBS/IN) | 460 |
| COMPRESSION - SPRING RATE KC (N/MM) | 81 |
| SHEAR STATIC LOAD (LBS) | 2 |
| SHEAR STATIC LOAD (N) | 9 |
| SHEAR - SPRING RATE KS (LBS/IN) | 120 |
| SHEAR - SPRING RATE KS (N/MM) | 21 |
| A (IN) | 0.38 |
| B (IN) | 0.19 |
| C (IN) | 0.5 |
| D (IN) | 0.38 |
| THREAD SIZE | M4 |
| DUROMETER | 51 |
| ELASTOMER | Oil Resistant Elastomer - Neoprene |
| THREAD TYPE | Metric |
| PRODUCT TYPE | Mounts |
| MANUFACTURER | LORD Corporation |
| TYPE | 2 |
| GRADE PER SAE J429 | 4.6 |