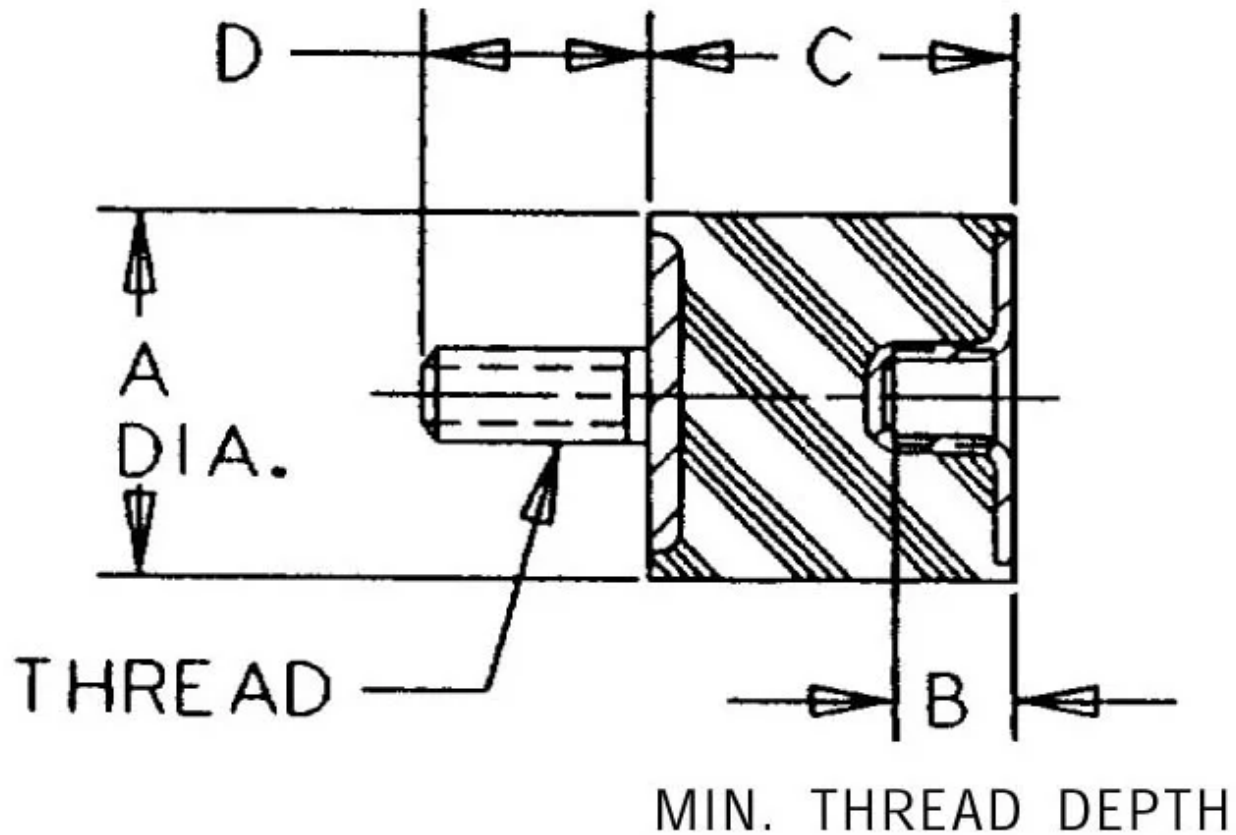


J-11729-190

in Flex-Bolt® Sandwich Mounts (UNC Thread) Type 2



Flex-Bolt® Sandwich Mounts are Manufactured by LORD Corporation.

- Economical.
- Compact and lightweight.

- Three size groups: small, medium and large.
- Unitized construction.

Flex-Bolt® Sandwich Mounts are Manufactured by LORD Corporation.

Flex-Bolt® Sandwich Mounts are designed to protect equipment, machinery and sensitive components against damaging vibration. This family of mounts has excellent capacity for energy control. Constructed with high-strength bonds and specially compounded elastomers, these mounts provide high load carrying capacity and assure long life.

The simple design and unitized construction provide low-cost mounting systems which are compact, lightweight, easy to install and maintenance free.

If you don't see the size you need, contact us - we can help.

Specifications

COMPRESSION STATIC LOAD (LBS)	120
COMPRESSION STATIC LOAD (N)	534
COMPRESSION - SPRING RATE KC (LBS/IN)	500
COMPRESSION - SPRING RATE KC (N/MM)	88
SHEAR STATIC LOAD (LBS)	25
SHEAR STATIC LOAD (N)	111
SHEAR - SPRING RATE KS (LBS/IN)	110
SHEAR - SPRING RATE KS (N/MM)	19
A (IN)	1.5
B (IN)	0.38
C (IN)	1.5
D (IN)	0.75
THREAD SIZE	3/8-16 UNC
DUROMETER	39
ELASTOMER	Natural Rubber

PRODUCT TYPE	MOQ/MTS
MANUFACTURER	LORD Corporation
TYPE	2
GRADE PER SAE J429	1