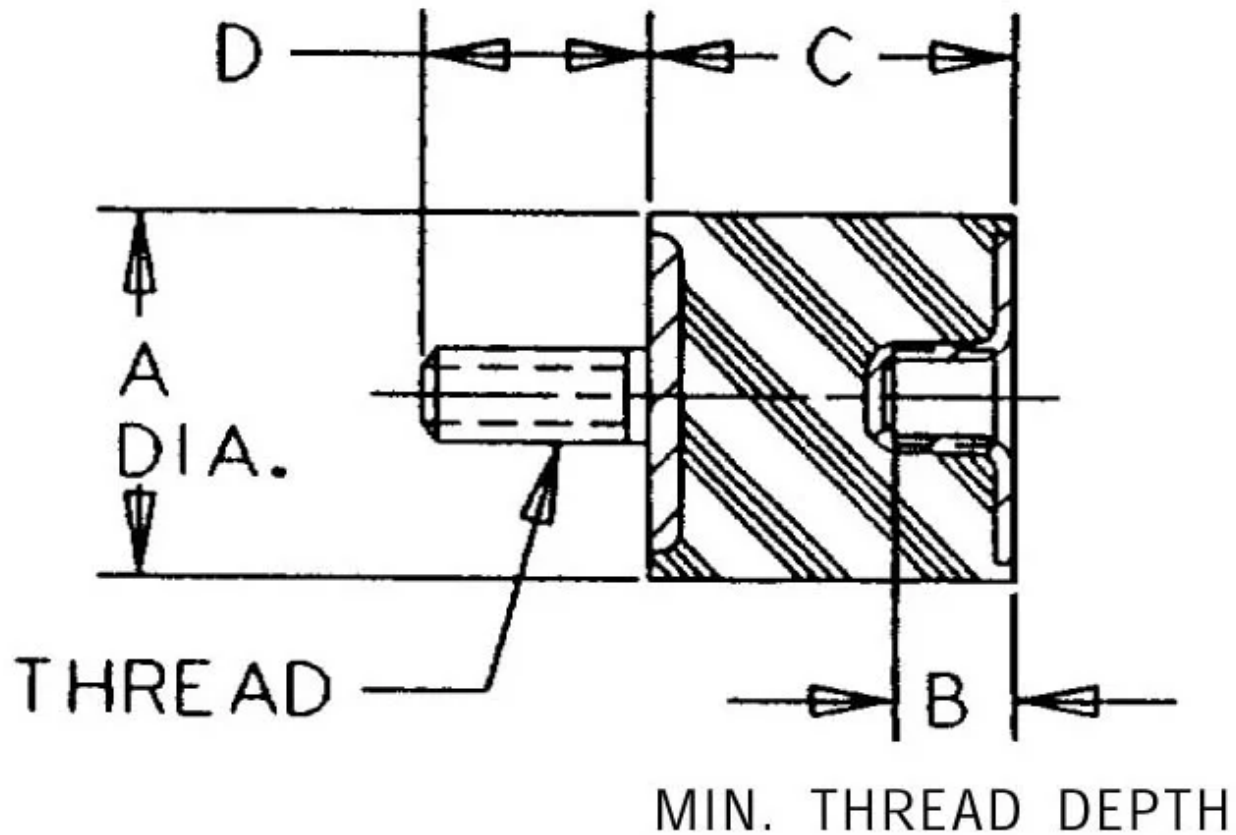


J-4624-43

in Flex-Bolt® Sandwich Mounts (UNC Thread) Type 2



Flex-Bolt® Sandwich Mounts are Manufactured by LORD Corporation.

- Economical.
- Compact and lightweight.

- Three size groups: small, medium and large.
- Unitized construction.

Flex-Bolt® Sandwich Mounts are Manufactured by LORD Corporation.

Flex-Bolt® Sandwich Mounts are designed to protect equipment, machinery and sensitive components against damaging vibration. This family of mounts has excellent capacity for energy control. Constructed with high-strength bonds and specially compounded elastomers, these mounts provide high load carrying capacity and assure long life.

The simple design and unitized construction provide low-cost mounting systems which are compact, lightweight, easy to install and maintenance free.

If you don't see the size you need, contact us - we can help.

Specifications

COMPRESSION STATIC LOAD (LBS)	18
COMPRESSION STATIC LOAD (N)	80
COMPRESSION - SPRING RATE KC (LBS/IN)	565
COMPRESSION - SPRING RATE KC (N/MM)	99
SHEAR STATIC LOAD (LBS)	4
SHEAR STATIC LOAD (N)	18
SHEAR - SPRING RATE KS (LBS/IN)	130
SHEAR - SPRING RATE KS (N/MM)	23
A (IN)	1
B (IN)	1/4
C (IN)	0.75
D (IN)	0.38
THREAD SIZE	1/4-20 UNC
DUROMETER	43
ELASTOMER	Natural Rubber

PRODUCT TYPE	MOUNTS
MANUFACTURER	LORD Corporation
TYPE	2
GRADE PER SAE J429	1