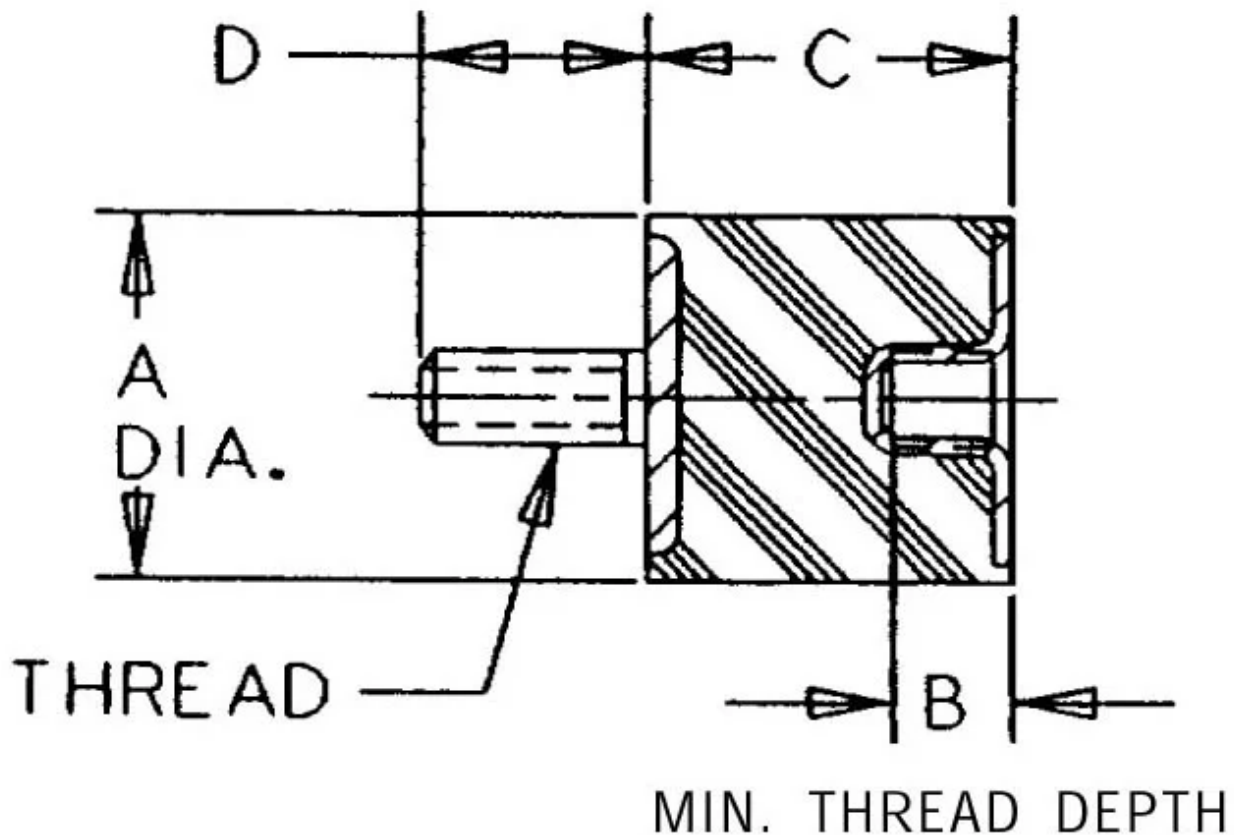


SMB006-0200-6

in Flex-Bolt® Sandwich Mounts (UNC Thread) Type 2



Flex-Bolt® Sandwich Mounts are Manufactured by LORD Corporation.

- Economical.
- Compact and lightweight.

- Three size groups: small, medium and large.
- Unitized construction.

Flex-Bolt® Sandwich Mounts are Manufactured by LORD Corporation.

Flex-Bolt® Sandwich Mounts are designed to protect equipment, machinery and sensitive components against damaging vibration. This family of mounts has excellent capacity for energy control. Constructed with high-strength bonds and specially compounded elastomers, these mounts provide high load carrying capacity and assure long life.

The simple design and unitized construction provide low-cost mounting systems which are compact, lightweight, easy to install and maintenance free.

If you don't see the size you need, contact us - we can help.

Specifications

| | |
|---------------------------------------|------------------------------------|
| COMPRESSION STATIC LOAD (LBS) | 17 |
| COMPRESSION STATIC LOAD (N) | 76 |
| COMPRESSION - SPRING RATE KC (LBS/IN) | 510 |
| COMPRESSION - SPRING RATE KC (N/MM) | 89 |
| SHEAR STATIC LOAD (LBS) | 4 |
| SHEAR STATIC LOAD (N) | 18 |
| SHEAR - SPRING RATE KS (LBS/IN) | 90 |
| SHEAR - SPRING RATE KS (N/MM) | 16 |
| A (IN) | 0.62 |
| B (IN) | 1/4 |
| C (IN) | 0.62 |
| D (IN) | 0.5 |
| THREAD SIZE | 1/4-20 UNC |
| DUROMETER | 38 |
| ELASTOMER | Oil Resistant Elastomer - Neoprene |

| PRODUCT TYPE | QUANTITY |
|--------------------|------------------|
| MANUFACTURER | LORD Corporation |
| TYPE | 2 |
| GRADE PER SAE J429 | 1 |