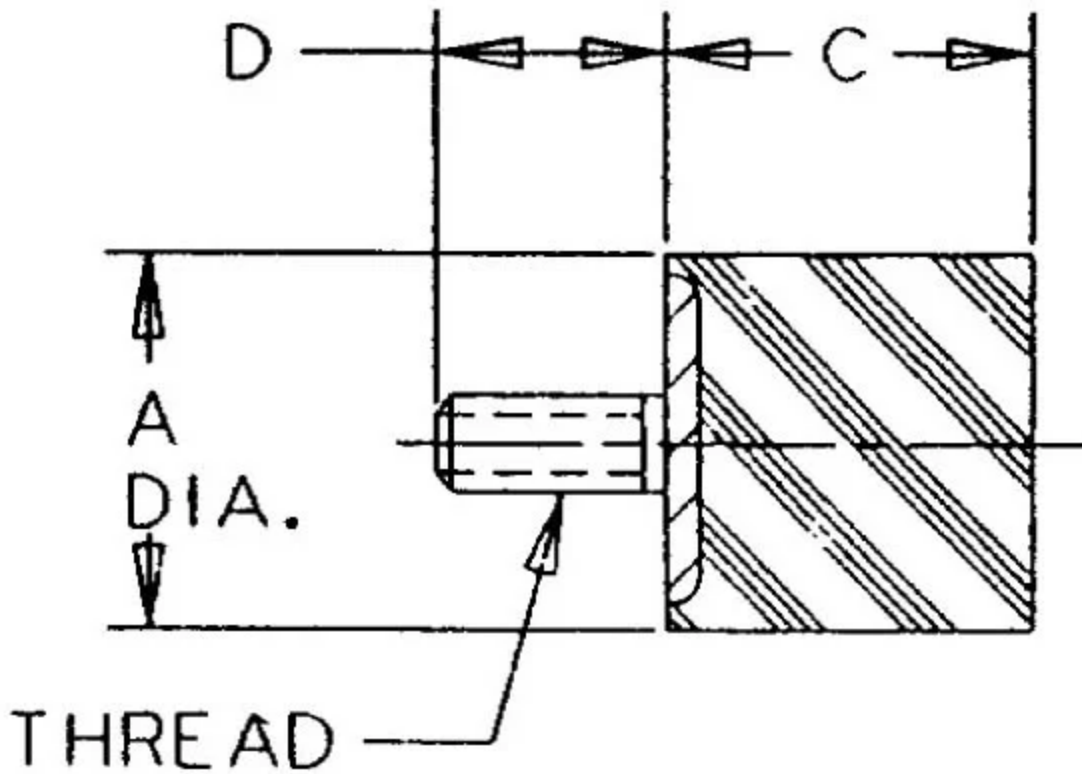
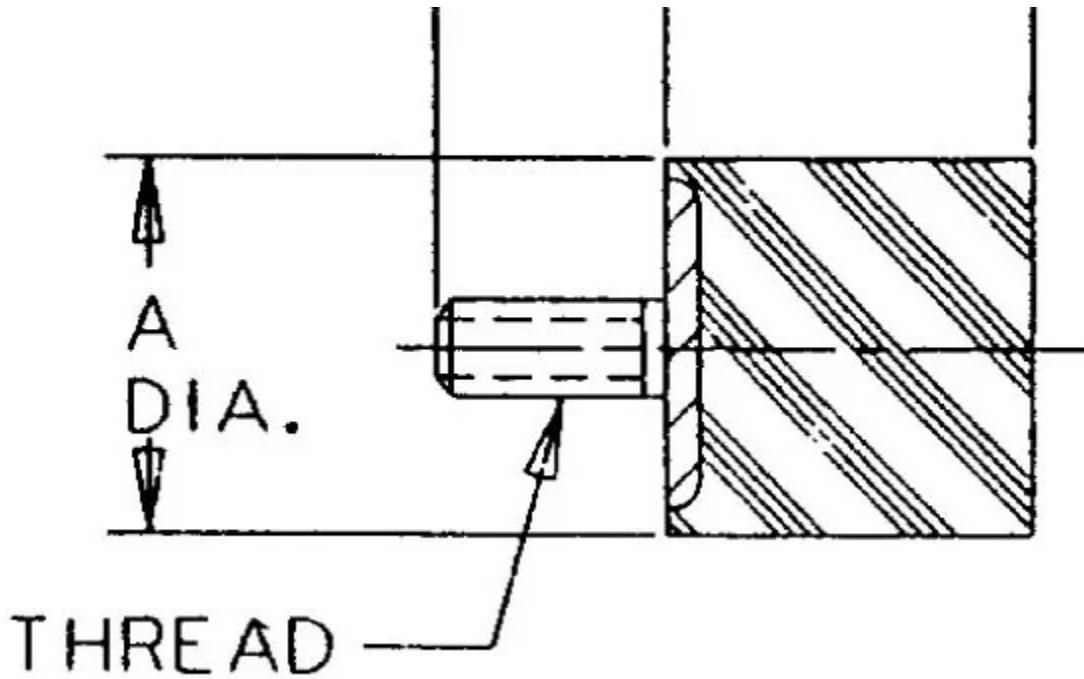


VMD-1513D

in Sandwich Mounts (Metric Thread) Type 3





Vibration Bumper Foot

- Economical.
- Compact and lightweight.
- Easy to install.
- Maintenance-free.
- Three size groups: small, medium and large.
- Unitized construction.

RPM Rubber Flex Bobbin Sandwich Mounts are designed to protect equipment and machinery against damaging vibration. This family of mounts has excellent capacity for energy control. Constructed with high-strength bonds and specially compounded elastomers, these mounts provide high load-carrying capacity and assure long life.

The simple design and unitized construction provide low-cost mounting systems which are compact, lightweight, easy to install and maintenance-free.

Typical applications for Rubber Flex Bobbin Sandwich Mounts include business machines, motorcycles, heating, ventilating and air conditioning equipment, light motors, appliances, shipping containers, feeders, compactors and vibratory rollers.

Specifications

COMPRESSION STATIC LOAD (LBS)	28
COMPRESSION STATIC LOAD (N)	122

COMPRESSION - SPRING RATE KC (N/MM)	74
A (IN)	0.59
C (IN)	0.5
D (IN)	0.5
THREAD SIZE	M4
DUROMETER	57
ELASTOMER	Natural Rubber
THREAD TYPE	Metric
PRODUCT TYPE	
MANUFACTURER	RPM Mechanical Inc
TYPE	3
GRADE PER SAE J429	1