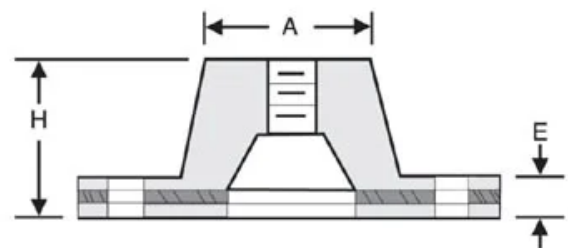
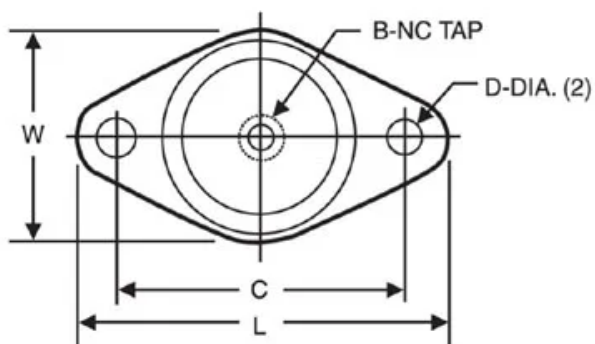


CM-1-115

in HVAC Neoprene Mounts



*Loads up to 4,000 lbs.
Material: Neoprene and steel

RPM's flange mounted compression mounts offer a quick and easy way to isolate your equipment. Simply fix the base of the mount to your surface and place your unit on the top surface of the

RPM's Double Deflection mount series ensure your equipment keeps running and operating efficiently.

Available in a variety of sizes and colors to differentiate different applications. Call RPM today!

* Items with (*) have a square base

Specifications

A (IN)	1 3/8
B (IN)	1/4
C (IN)	2 3/8
D (IN)	11/32
E (IN)	3/16
H (IN)	1 1/4
H (MM)	
L (IN)	3 1/8
L (MM)	
HEIGHT (IN)	1 1/4
WIDTH (IN)	1 3/4
COLOR	Black
MAX LOAD RATING (LBS)	115
W (IN)	1 3/4
W (MM)	
BASE	Diamond
MATERIAL	Neoprene Steel
LENGTH (IN)	3 1/8
LENGTH (MM)	

MANUFACTURER

IN THE UNITED STATES