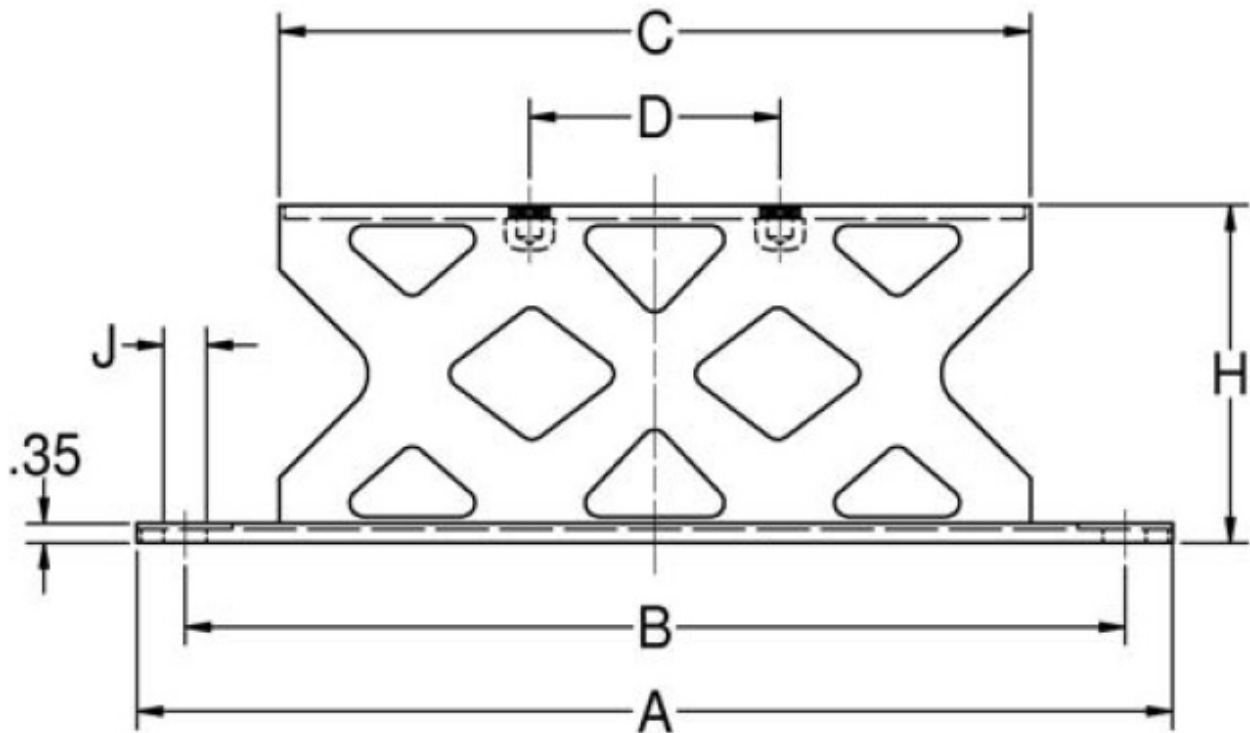
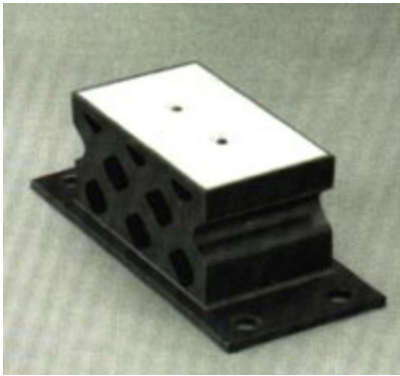
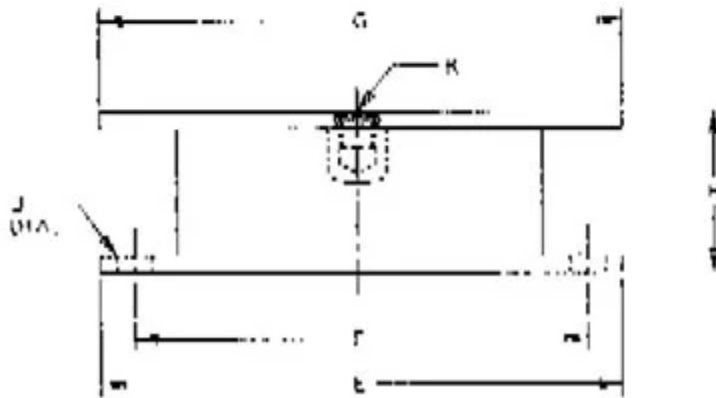
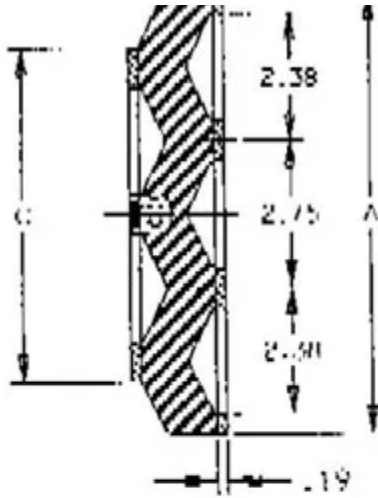


J-1575-1

in Lattice Mount





Lord Machinery Mounts are designed to support heavy equipment and isolate intermittent or continuous vibration.

The result is greater machine accuracy, longer service life, smoother operation and reduced maintenance.

These mounts are available in four types to suit different needs.

Lattice Mounts are recommended for applications where disturbing frequencies are as low as 6 Hz. Their lattice design provides a soft vertical spring rate combined with lateral stability.

Typical applications include shakerscreens, sifters, rubber mills, air compressors and large engines/generators.

Non-Stock Item

One hole centered in top plate.

Two holes midway in top plate.

- High-efficiency, multi-directional isolation of low frequency vibration.
- Extremely rugged and require no maintenance.
- Easily installed.
- Long service life.

A (IN)	8.25
B (IN)	
C (IN)	6.25
D (IN)	
E (IN)	5.75
F (IN)	5
F (MM)	127
H (IN)	
H (MM)	
WEIGHT (LBS/FT)	3.7
WEIGHT (KG)	1.7
G (IN)	5.75
G (MM)	146.1
MAX AXIAL LOAD RATING (LBS)	1000
MAX AXIAL LOAD RATING (N)	4448
MAX AXIAL DEFLECTION (IN)	0.25
MAX AXIAL DEFLECTION (MM)	6.4
J (IN)	0.39
J (MM)	9.9
K (IN)	
K (MM)	
PRODUCT TYPE	Mounts
MANUFACTURER	Lord Corporation

