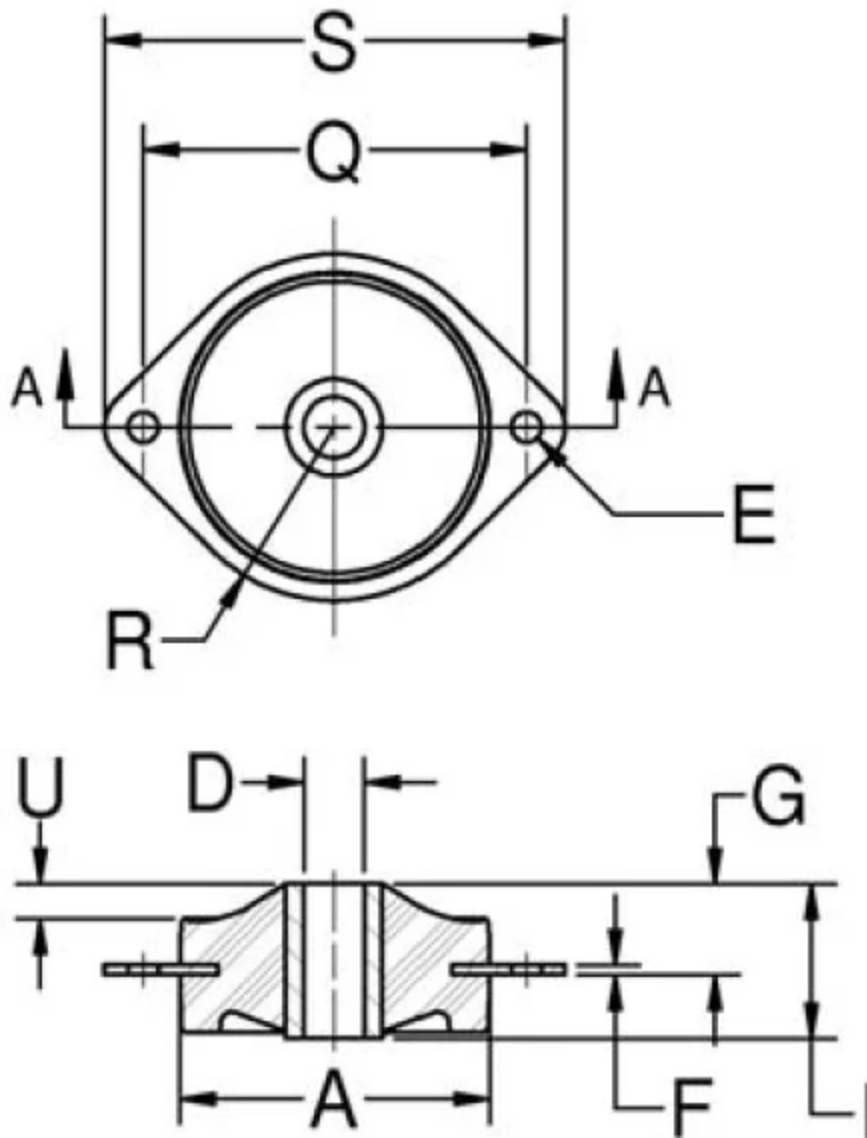


100PDL-A

in Plateform Mounts (Diamond)



Lord Plateform Mounts provide effective isolation against vibration. The contour of the flexing element was developed to provide uniform stress distribution. This, plus high strength bonding and the use of specially compounded elastomers, provides maximum service life.

Snubbing washers provide an interlocking system of metal parts which act to prevent damage from overload or excessive shock impact.

Lord Platform Mounts are easy to install and provide space efficiency. Typical applications include electronic equipment, business machines, medical equipment and small pumps, engines and gen sets.

- Three types of mounts for different applications.
- Square, diamond or holder configurations to suit a variety of design needs.
- Load ratings from 0.5 to 600 pounds per mount.
- Uniform stress distribution.
- Easy to install.

Specifications

A (IN)	1
B (IN)	1.25
C (IN)	1
D (IN)	0.166
E (IN)	0.141
F (IN)	0.032
F (MM)	0.8
L (IN)	
L (MM)	
MATERIAL	Aluminum
INSIDE DIAMETER (IN)	0.17
MAX. AXIAL RATED LOAD @ 1/16 IN (1.58 MM) DEFLECTION (LBS)	0.5
MAX. AXIAL RATED LOAD @ 1/16 IN (1.58 MM) DEFLECTION (N)	2

G (IN)	0.3
G (MM)	7.6
I (IN)	0.41
I (MM)	10.4
O (IN)	0.78
O (MM)	19.8
Q (IN)	1.414
Q (MM)	35.9
MAX AXIAL LOAD RATING (LBS)	0.5
MAX AXIAL LOAD RATING (N)	2
THICKNESS (IN)	0.03
THICKNESS (MM)	0.8
K (IN)	1.69
K (MM)	42.9
PRODUCT TYPE	Mounts
MANUFACTURER	Lord Corporation
SERIES	100
ENCLOSURE SHAPE	Diamond
M (IN)	0.141
M (MM)	3.6
P (IN)	0.025
P (MM)	0.6
R (IN)	0.62

S (IN)	1.66
S (MM)	42.2
U (IN)	0.15
U (MM)	3.8
OUTSIDE DIAMETER (IN)	0.88
OUTSIDE DIAMETER (MM)	22.4
RECOMMENDED STEEL WASHER	J-2049-1