

J-20922-24

in Small Industrial Engine Mounts



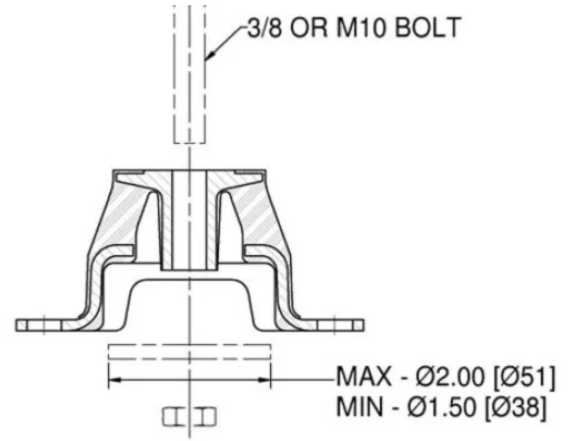
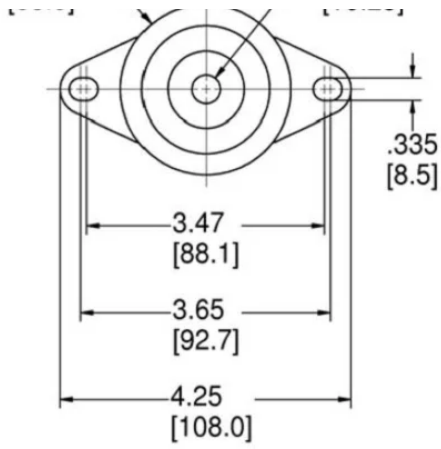
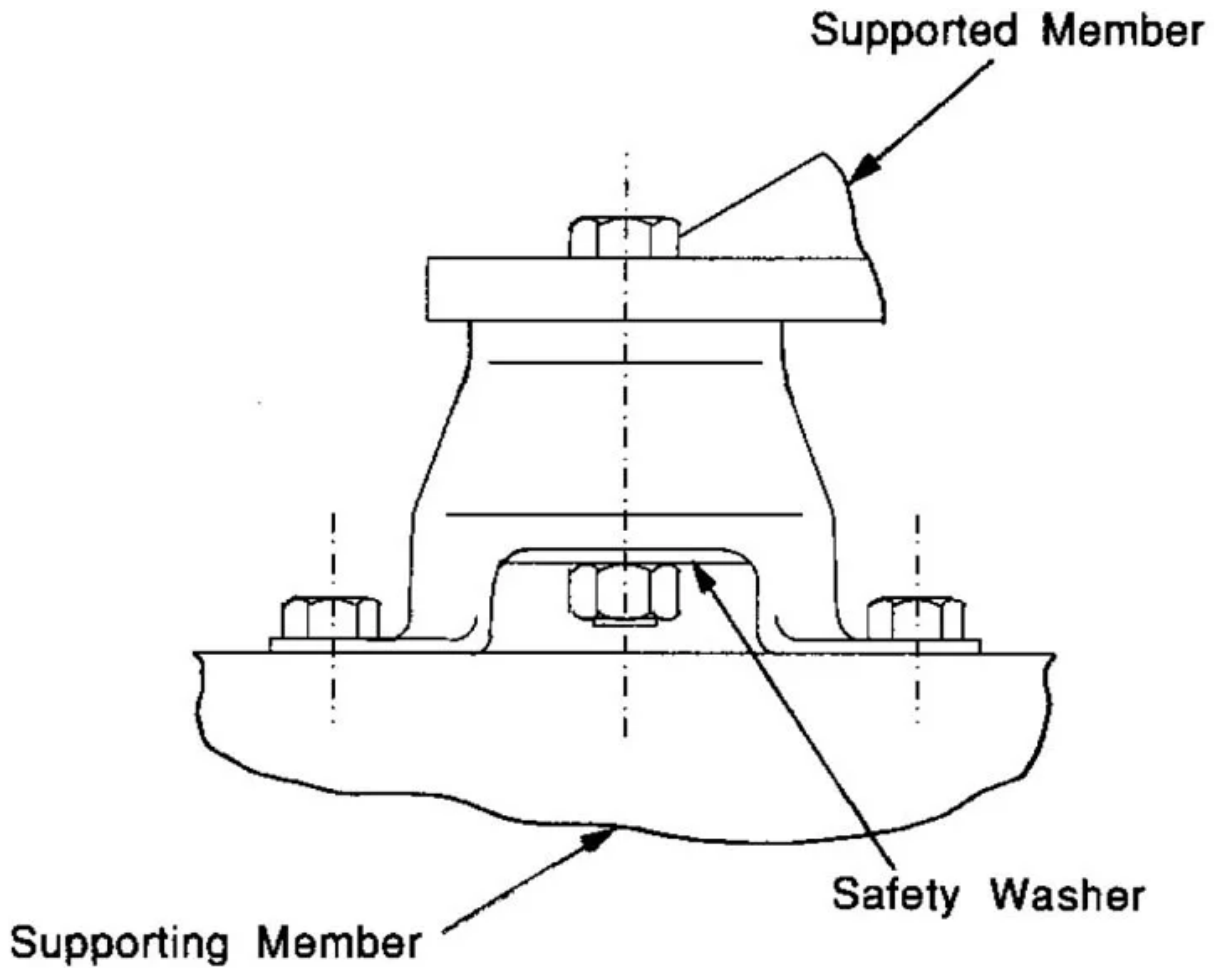
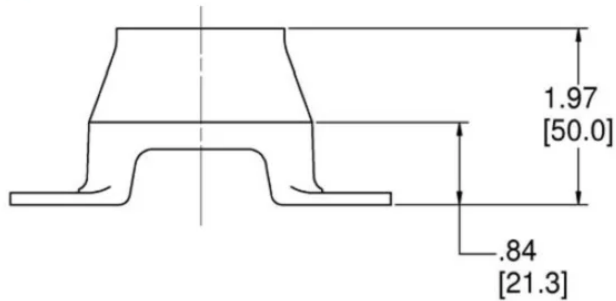


Figure 4 – Dimensions



- Moderately soft vertical stiffness.

- Inter-locked metals (when assembled with washer) provide safety restraint.
- Well-suited for low mounting locations.
- 120 - 300 lb. load ratings.

Lord Corporation's J-20922 series of small engine mounts are especially designed for mounting 2, 3 and 4-cylinder gas or diesel engines in various types of vehicles and equipment.

Specifications

COLOR	Blue
AXIAL STATIC SPRING RATE (LBS/IN)	2100
AXIAL STATIC SPRING RATE (N/MM)	370
MAX. AXIAL STATIC LOAD RATING AT 0.1 IN (2.5 MM) DEFLECTION (IN)	210
MAX. AXIAL STATIC LOAD RATING AT 0.1 IN (2.5 MM) DEFLECTION (MM)	934
AXIAL SPRING RATES (LBS/IN)	2100
AXIAL SPRING RATES (N/MM)	370
LATERAL SPRING RATES (LBS/IN)	360
LATERAL SPRING RATES (N/MM)	63
COLOR CODE	Blue
MAX AXIAL LOAD RATING (LBS)	210
MAX AXIAL LOAD RATING (N)	934
PRODUCT TYPE	Mounts
MANUFACTURER	Lord Corporation